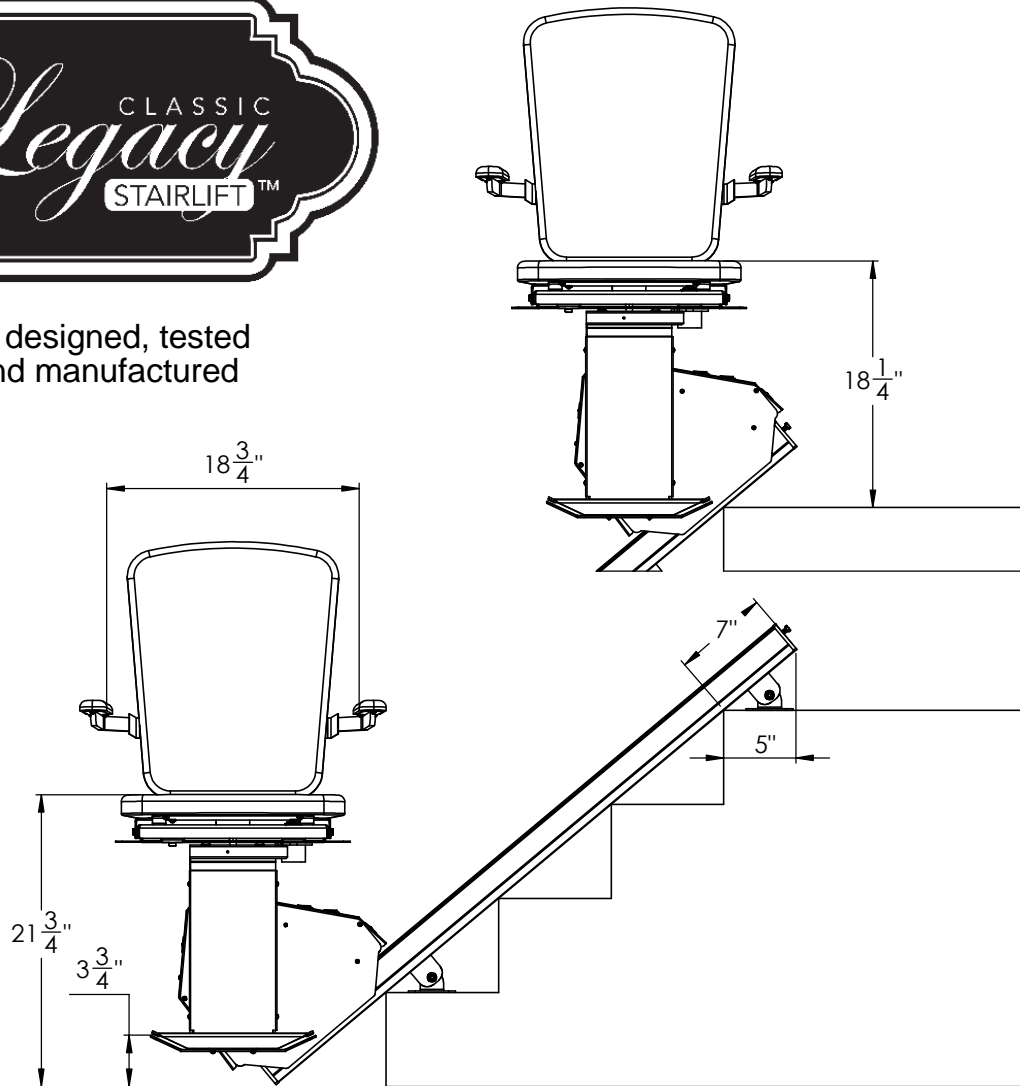


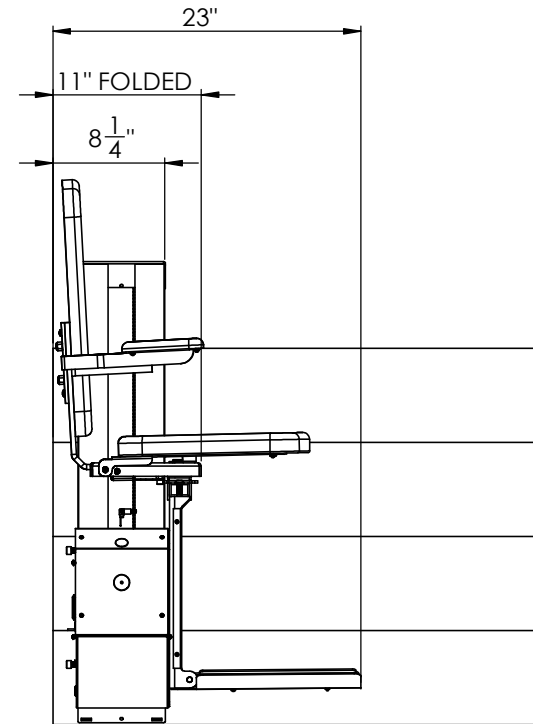


US designed, tested
and manufactured



Model: SL14
Cap: 350 lbs
Speed: 16 - 22 fpm
Angle: 25 - 45
Power: 24vdc - 15a
Drive: Rack & Pinion

Designed and tested to comply
with ASME A18.1-2008 & A17.5



Specifications and dimensions subject to change without notice.

Staying Home Corporation
1503 Vine
Harrisonville, MO 64701
877-378-4275