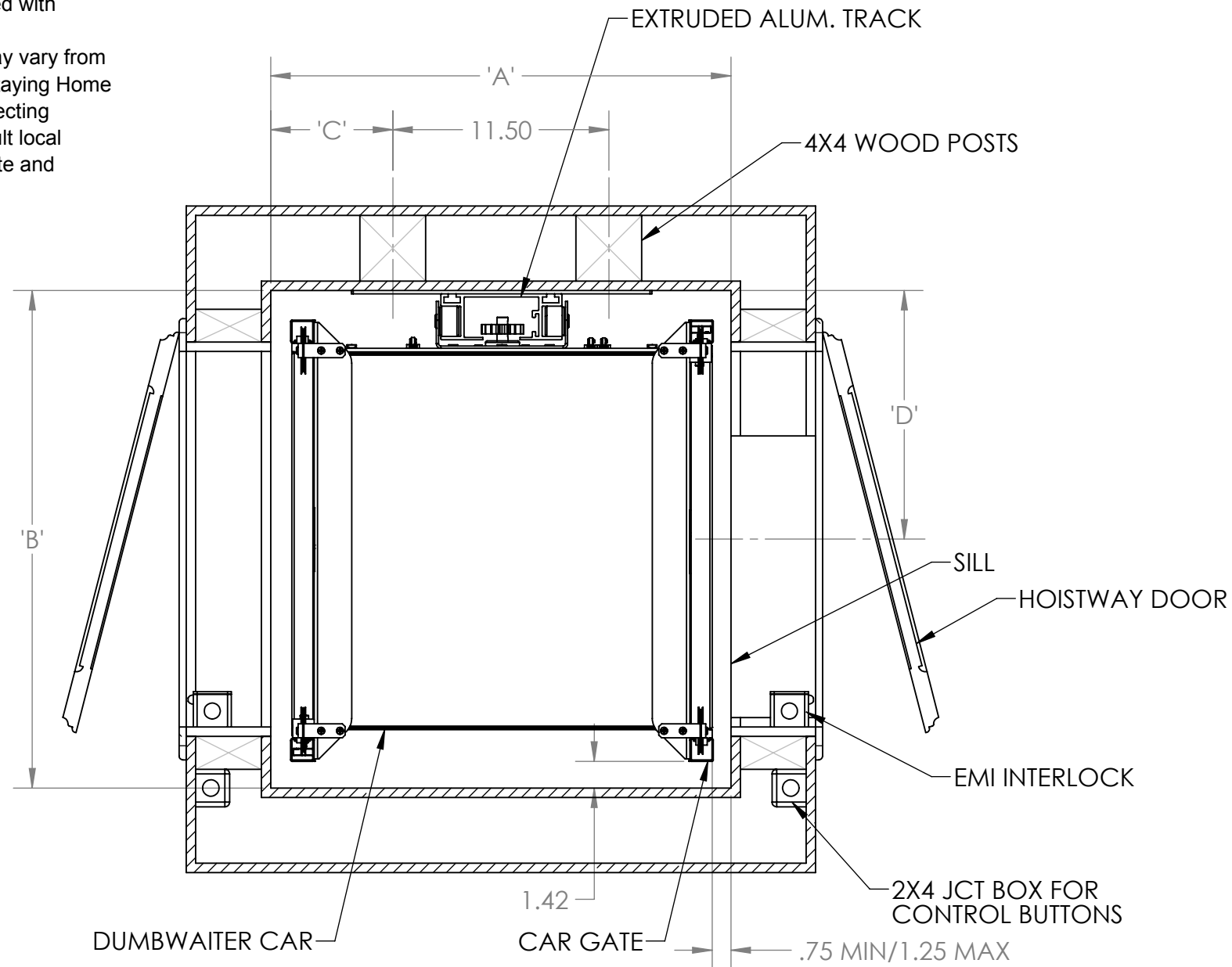


This generic drawing shows nominal dimensions useful for INITIAL planning of a dumbwaiter project. BEFORE beginning actual construction, be sure to request application drawings customized with dimensions for your specific project. Hoistway construction requirements may vary from state to state. Dimensions given are Staying Home Corporation's recommended sizes, reflecting running and access clearances. Consult local authority to assure compliance with state and local codes.



PLAN VIEW OF HOISTWAY

Dumbwaiter Specs

- Car Size: 20"W x 20"D x 30"H, 24x24x30 or 30x30x36
- Drive System: Battery Powered Rack and Pinion
- Finish: Oyster White Powder Coat (RAL 1013) or optional Brushed Stainless Steel
- Speed: 16-20 fpm
- Travel: Up to 30'
- Power Supply: 120VAC
- Track: 6063-T6 Extruded Aluminum
- Controls: Automatic Operation, low voltage Push Button Controls at each landing
- Motor: 140 Watt, 24VDC
- Brake: 24VDC
- Car Gate: Bi-parting Verical Sliding Panels
- Safety Devices: Limit Switches at each stop
Final Limit at top and bottom
Car Gate Switch
Electromechanical Hoistway Door Interlocks

DOUBLE OPENING CAR					
Car Size	'A' (min)	'B' (min)	'C'	'D'	Capacity
20 x 20	24-25"	26.5"	6.5"	13.25"	200#
24 x 24	28-29"	30.5"	8.5"	15.25"	200#
30 x 30	34-35"	36.5"	11.5"	18.25"	275#

All dimensions are to the finished hoistway walls.
Hoistway doors can swing either direction

PROPRIETARY AND CONFIDENTIAL
THE INFORMATION CONTAINED IN THIS DRAWING IS THE SOLE PROPERTY OF STAYING HOME CORPORATION. ANY REPRODUCTION IN PART OR AS A WHOLE WITHOUT THE WRITTEN PERMISSION OF STAYING HOME CORPORATION IS PROHIBITED.

UNLESS OTHERWISE SPECIFIED:

DIMENSIONS ARE IN INCHES
TOLERANCES:
FRACTIONAL ±1/16
ANGULAR: ±0.5°
ONE PLACE DECIMAL ±0.1
TWO PLACE DECIMAL ±0.01
THREE PLACE DECIMAL ±0.005

INTERPRET GEOMETRIC TOLERANCING PER:
MATERIAL
FINISH
DO NOT SCALE DRAWING

	NAME	DATE
DRAWN		7/8/2015
CHECKED		
ENG APPR.		
MFG APPR.		
Q.A.		
COMMENTS:		


 Staying Home Corporation
 1503 Vine Street
 Harrisonville, MO 64701
 816-380-2427
 www.stayinghome.com

TITLE:
DOUBLE OPENING STRAIGHT-THR

SIZE B	DWG. NO. DW-DE	REV B
------------------	--------------------------	-----------------

SCALE: 1:8 WEIGHT: SHEET 1 OF 1