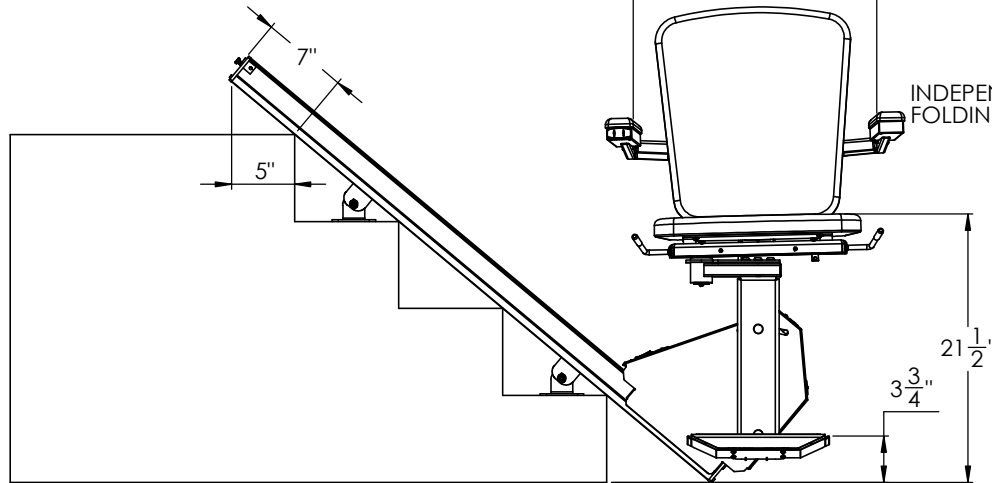
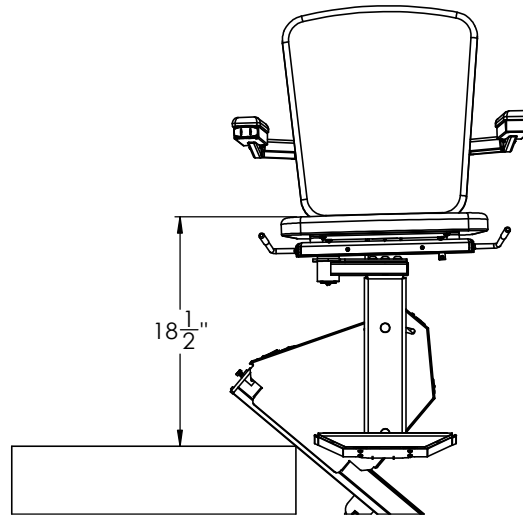
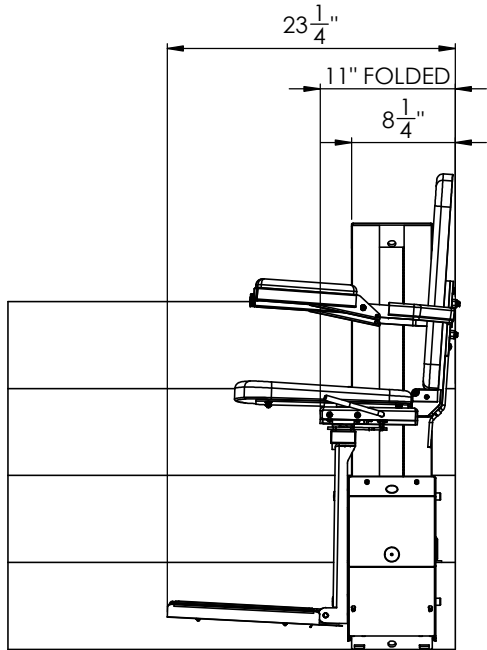


Model: SL14  
 Cap: 350 lbs  
 Speed: 16 - 22 fpm  
 Angle: 25 - 45  
 Power: 24vdc - 15a  
 Drive: Rack & Pinion

Designed and tested to comply  
 with ASME A18.1-2008 & A17.5



US designed, tested  
 and manufactured



INDEPENDENT  
 FOLDING ARMS

Specifications and dimensions subject to change without notice.

Staying Home Corporation  
 1503 Vine  
 Harrisonville, MO 64701  
 877-378-4275