

# ELEGANCE *Legacy* STAIRLIFT®

“I love my Legacy Stairlift for the freedom & peace-of-mind it gives me!”

# CLASSIC *Legacy* STAIRLIFT®



11"  
(Folded from wall)



LIMITED  
**LIFETIME**  
WARRANTY

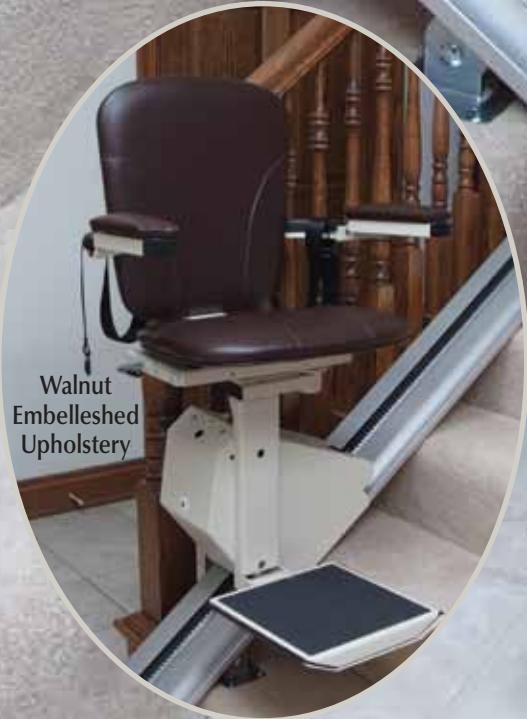


ELEGANCE  
*Legacy*  
STAIRLIFT®



Remote  
Control  
Call/Sends

Caramel  
Embellished  
Upholstery  
Stitching  
Option



Walnut  
Embellished  
Upholstery

# Features: (both models)

CLASSIC  
*Legacy*  
STAIRLIFT®

- Folds to within 11" of the wall
- Attaches to stairs, not the wall
- Narrow, low profile track (2.5" tall x 6.5" wide)
- Footrest obstruction sensors with audio beep notification
- Battery power allows 20 trips during power outages
- Top & bottom landing charge stations
- Audio beep notification when unit is not seated on charge stations
- Rocker switch conveniently located on either side of seat
- Smooth starts & soft stops
- Constant pressure controls
- Wireless remote controls for upper & lower landings
- Chassis mounted installation load switch
- Quickly installs on left or right side of stairway
- Rack and pinion drive with concealed gear rack
- High seat back
- Low-to-the-floor footrest
- 3" to 6" horizontal extension at top landing
- 25 to 45 degree angle applications
- ETL approved A17.5 / B44 - A18.1
- 350 lbs capacity
- Proudly made in the USA!

## Options:

- Embellished upholstery stitching
- **Caramel** or **Walnut** upholstery
- Retractable seat belt - Elegance model only
- **Outdoor package**

**NEW**

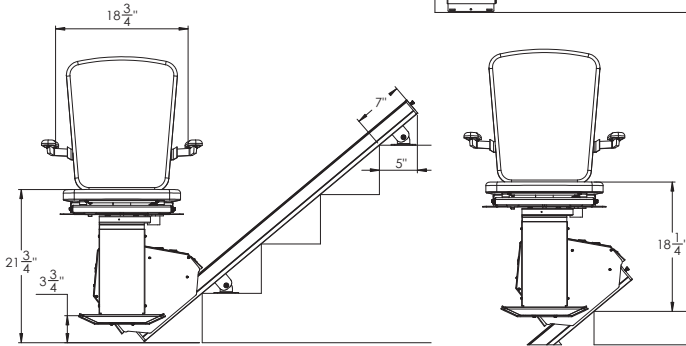
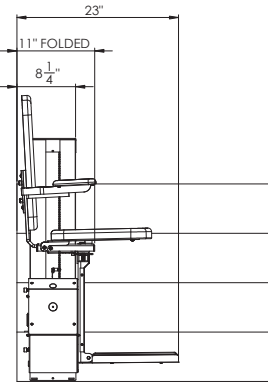


ELEGANCE  
*Legacy*  
STAIRLIFT®



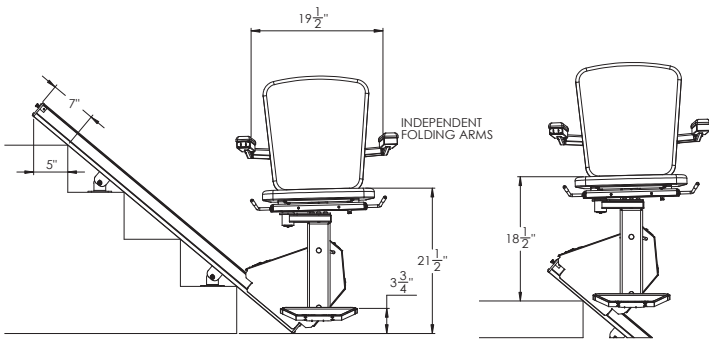
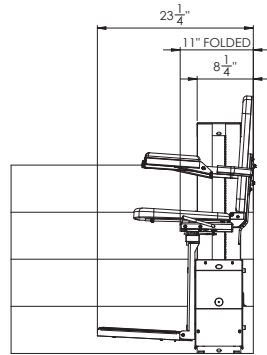
# Technical Information

CLASSIC  
*Legacy*  
STAIRLIFT®



Dimensions subject to change without notice.

ELEGANCE  
*Legacy*  
STAIRLIFT®



Dimensions subject to change without notice.

## OUTDOOR WARRANTY

- 1 Year warranty on BATTERIES
- 2 Year warranty on PARTS
- 5 Year warranty on DRIVE TRAIN & CIRCUIT BOARD



Outdoor package includes heavy duty cover



85 degree swivel seat at top landing

Best Warranty In The Industry!

## LIMITED LIFETIME WARRANTY

Lifetime to the original purchaser for:  
MOTOR • GEAR • CIRCUIT BOARD

- 2 Year warranty on BATTERIES
- 7 Year warranty on PARTS