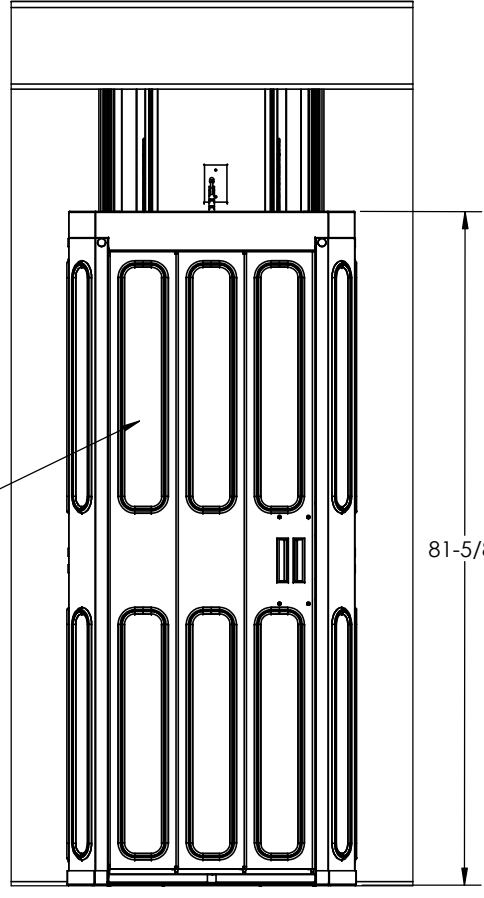
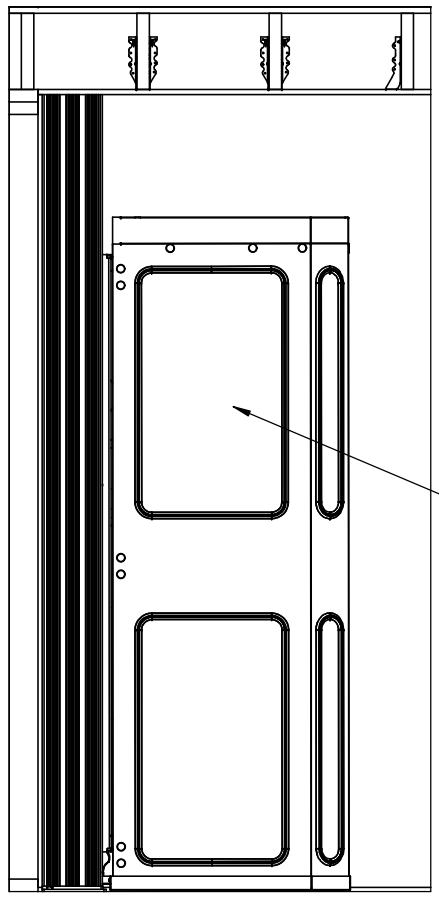


8 7 6 5 4 3 2 1

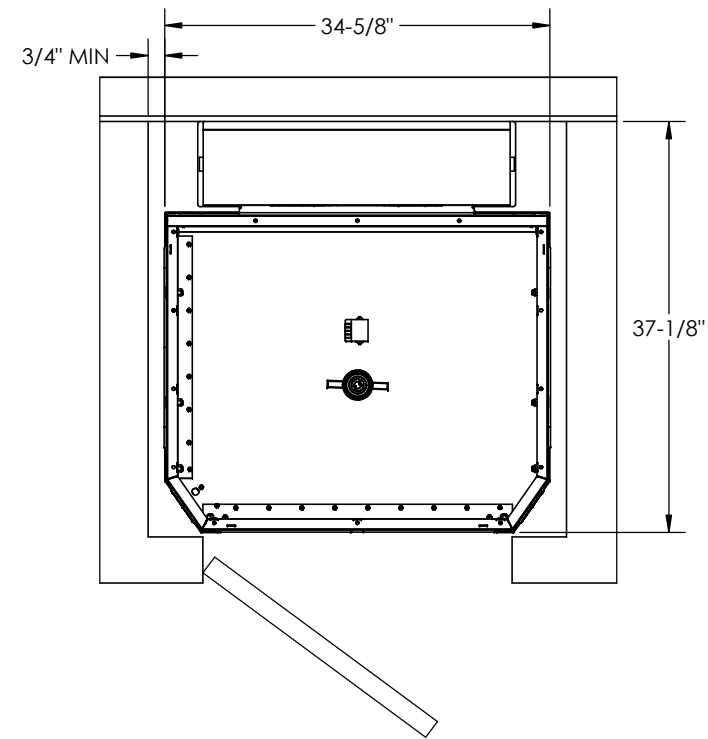
D  
C  
B  
A

D  
C  
B  
A



CLEAR VISION PANELS

81-5/8"



Hoistway construction and Landing Doors by others

**Features:**

- Battery Powered: 24 VDC Control System
- Rated Load: 400 lbs
- Speed: 8-10 fpm
- Max. Travel: 14'-0"
- Car Size: 33W x 26D x 75H
- Overhead Clearance: 7'-0" Min.
- Powder Coated Metal: Gray White
- Vision Panels: Clear Acrylic
- Car Light: Recessed LED
- Telephone: Inside St. Stl. Telephone Cabinet

- Automatic up/down controls
- Key Lock on controls
- Emergency Stop Switch and Alarm
- Status LED
- Winding Drum Drive with two 1/4" aircraft cables
- Electromechanical Interlocks on Landing Doors
- Two Grab Rails
- Slack Cable Safety Device
- Final Limit Switches

**PROPRIETARY AND CONFIDENTIAL**  
 THE INFORMATION CONTAINED IN THIS DRAWING IS THE SOLE PROPERTY OF STAYING HOME CORPORATION. ANY REPRODUCTION IN PART OR AS A WHOLE WITHOUT THE WRITTEN PERMISSION OF STAYING HOME CORPORATION IS PROHIBITED.

UNLESS OTHERWISE SPECIFIED:		NAME	DATE
DIMENSIONS ARE IN INCHES			9/30/2016
TOLERANCES:			
FRACTIONAL ±1/16			
ANGULAR: ±0.5°			
ONE PLACE DECIMAL ±0.1			
TWO PLACE DECIMAL ±0.01			
THREE PLACE DECIMAL ±0.005			
DRAWN			
CHECKED			
ENG APPR.			
MFG APPR.			
Q.A.			
INTERPRET GEOMETRIC TOLERANCING PER:			
MATERIAL			
FINISH			
DO NOT SCALE DRAWING			
COMMENTS:			


 Staying Home Corporation  
 2501 Anaconda Rd  
 Harrisonville, MO 64701  
 816-380-2427  
 www.stayinghome.com  
 Your Aging in Place Resource

TITLE: AUTOMATIC ELEVATOR		
SIZE B	DWG. NO. SHC - AE3 TYP	REV
SCALE: 1:64		WEIGHT: SHEET 1 OF 1

8 7 6 5 4 3 2 1