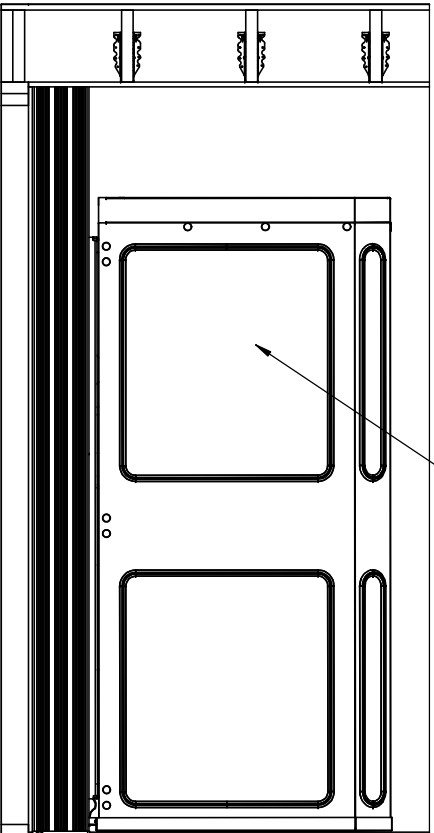
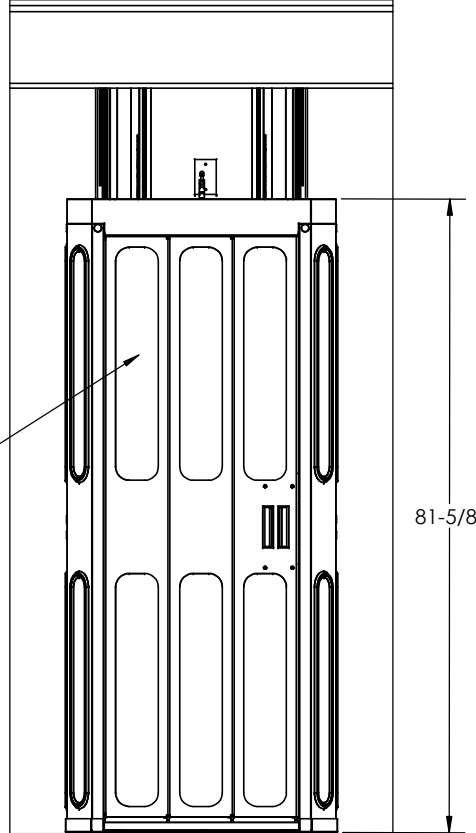


8 7 6 5 4 3 2 1

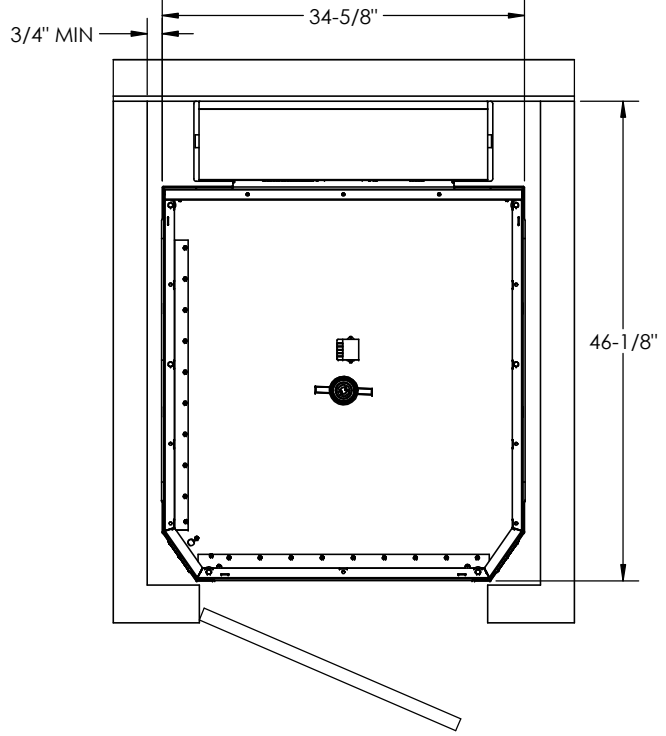
D
C
B
A



CLEAR VISION PANELS



81-5/8"



Hoistway construction and Landing Doors by others

Features:
 Battery Powered: 24 VDC Control System
 Rated Load: 400 lbs
 Speed: 8-10 fpm
 Max. Travel: 14'-0"
 Car Size: 33W x 35D x 75H
 Overhead Clearance: 7'-0" Min.
 Powder Coated Metal: Gray White
 Vision Panels: Clear Acrylic
 Car Light: Recessed LED
 Telephone: Inside St. Stl. Telephone Cabinet

Automatic up/down controls
 Key Lock on controls
 Emergency Stop Switch and Alarm
 Status LED
 Winding Drum Drive with two 1/4" aircraft cables
 Electromechanical Interlocks for Landing Doors
 Two Grab Rails
 Slack Cable Safety Device
 Final Limit Switches

PROPRIETARY AND CONFIDENTIAL
 THE INFORMATION CONTAINED IN THIS DRAWING IS THE SOLE PROPERTY OF STAYING HOME CORPORATION. ANY REPRODUCTION IN PART OR AS A WHOLE WITHOUT THE WRITTEN PERMISSION OF STAYING HOME CORPORATION IS PROHIBITED.

UNLESS OTHERWISE SPECIFIED:	NAME	DATE
DIMENSIONS ARE IN INCHES		9/29/2016
TOLERANCES:	DRAWN	
FRACTIONAL: ±1/16	CHECKED	
ANGULAR: ±0.5°	ENG APPR.	
ONE PLACE DECIMAL ±0.1	MFG APPR.	
TWO PLACE DECIMAL ±0.01	Q.A.	
THREE PLACE DECIMAL ±0.005	COMMENTS:	
INTERPRET GEOMETRIC TOLERANCING PER:		
MATERIAL		
FINISH		
DO NOT SCALE DRAWING		

 Staying Home Corporation 2501 Anaconda Rd Harrisonville, MO 64701 816-380-2427 www.stayinghome.com		TITLE: AUTOMATIC ELEVATOR	
		SIZE B	DWG. NO. SHC - AE4 TYP
SCALE: 1:64		WEIGHT: SHEET 1 OF 1	

8 7 6 5 4 3 2 1