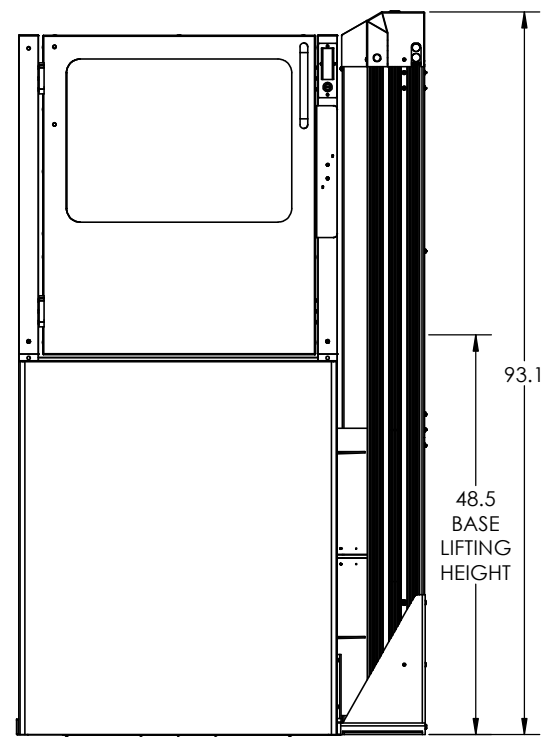
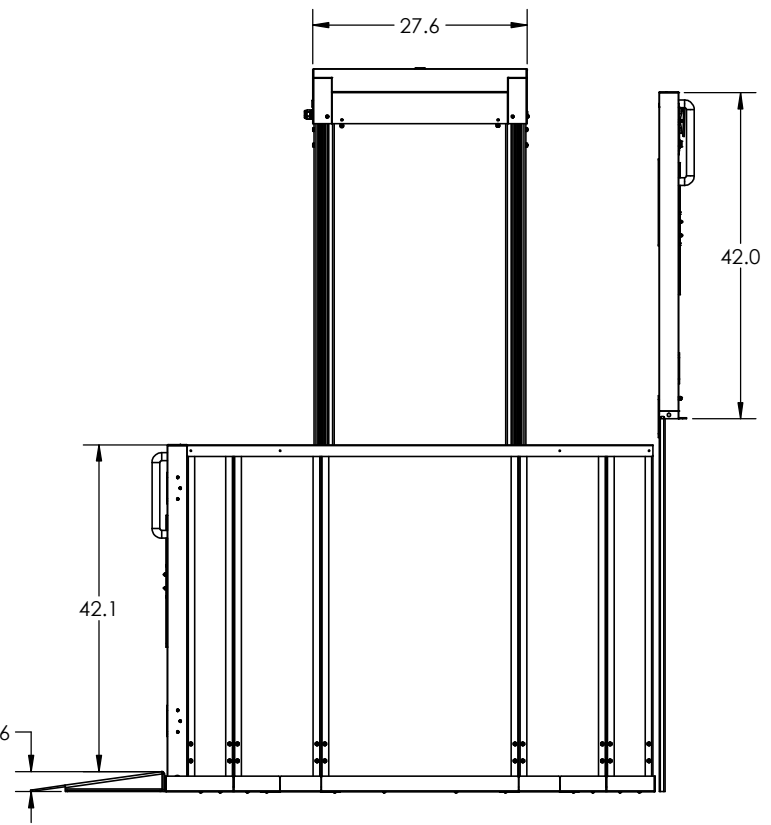


- Specifications
- Model: APL4
  - Rated Load: 750 lbs
  - Drive: Dual winding cable drums / 24 VDC 500 watt motor w/brake
  - Supply Power: 120 VAC 15A
  - Operating Power: 24 VDC
  - Control Power: 5 VDC
  - Platform: 36" x 48" (36" x 54") (36" x 60")
  - Footprint: 51-1/4" x 48" (51-1/4" x 54") (51-1/4" x 60")
  - Lift Height: 48" - 168"
  - Speed: 15-18 fpm
  - Controls: Constant pressure paddle switch
  - Safety Standards: ASME A18.1, Section 2  
CSA B44.1/ASME A17.5
  - Safety Features: Safety pan, final limit, slack cable brake, emergency stop w/alarm

## VERTICAL PLATFORM LIFT



SHOWN WITH  
OPTIONAL  
EQUIPMENT

