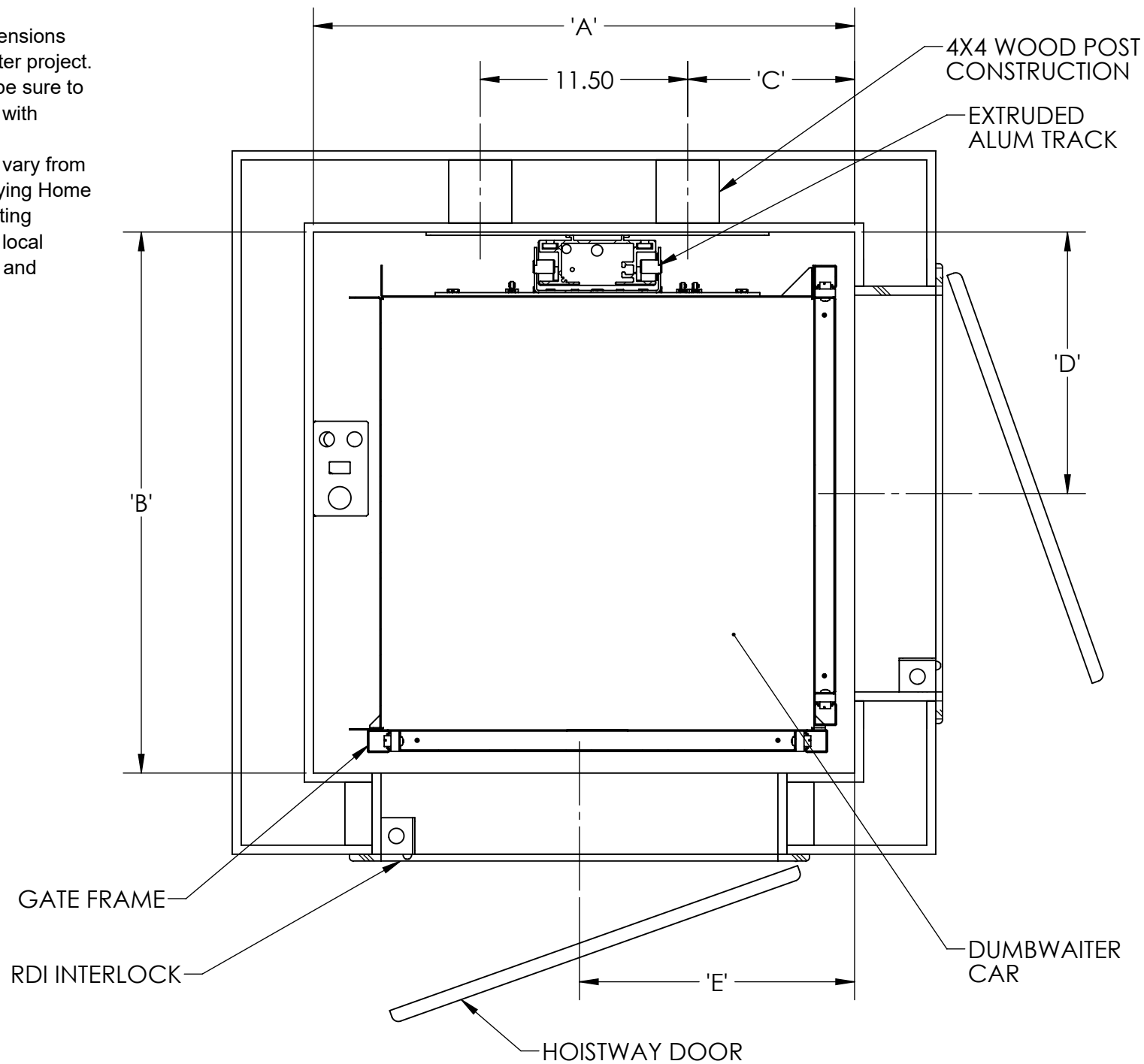


This generic drawing shows nominal dimensions useful for INITIAL planning of a dumbwaiter project. BEFORE beginning actual construction, be sure to request application drawings customized with dimensions for your specific project. Hoistway construction requirements may vary from state to state. Dimensions given are Staying Home Corporation's recommended sizes, reflecting running and access clearances. Consult local authority to assure compliance with state and local codes.



### Dumbwaiter Specs

CAR SIZE: 20"W X 20"D X 30"H  
 24"W X 24"D X 30"H  
 30"W X 30"D X 36"H

DRIVE SYSTEM: BATTERY POWERED RACK AND PINION  
 FINISH: POWDER COATED (RAL 9002)

SPEED: 16-20 FPM

POWER SUPPLY: 110VAC

TRACK: 6063-T6 EXTRUDED ALUMINUM

CONTROLS: AUTOMATIC OPERATION, WIRELESS PUSH  
 BUTTON CONTROL AT EACH LANDING

MOTOR: 140 WATT, 24VDC

BRAKE: 24VDC

CAR GATE: BI-PARTING VERTICAL SLIDING PANELS

SAFETY DEVICE:

LIMIT SWITCHES AT EACH STOP

FINAL LIMIT AT TOP AND BOTTOM

CAR GATE SWITCH

ELECTROMECHANICAL HOISTWAY DOOR INTERLOCKS

OVERSPEED GOVERNOR

PLAN VIEW OF HOISTWAY

DOUBLE OPENING - RIGHT HAND CAR						
CAR SIZE	'A'	'B'	'C'	'D'	'E'	CAPACITY
20 x 20	26"	26"	7.25"	12.5"	13.25"	200#
24 x 24	30"	30"	9.25"	14.5"	15.25"	200#
30 x 30	36"	36"	12.5"	17.5"	18.25"	275#

HOISTWAY DIMENSIONS TO FINISHED WALLS.  
 HOISTWAY DOOR CAN SWING EITHER DIRECTION. LEFT HAND SHOWN

UNLESS OTHERWISE SPECIFIED:

DIMENSIONS ARE IN INCHES  
 TOLERANCES:  
 FRACTIONAL ±1/16  
 ANGULAR: ±0.5°  
 ONE PLACE DECIMAL ±0.1  
 TWO PLACE DECIMAL ±0.01  
 THREE PLACE DECIMAL ±0.005

INTERPRET GEOMETRIC  
 TOLERANCING PER:

MATERIAL

FINISH

DO NOT SCALE DRAWING

	NAME	DATE
DRAWN		10/18/16
CHECKED		
ENG APPR.		
MFG APPR.		
Q.A.		
COMMENTS:		



Staying Home Corporation  
 2501 Anaconda Rd  
 Harrisonville, MO 64701  
 816-380-2427  
 www.stayinghome.com

TITLE: DOUBLE OPENING - 90° RIGHT		
SIZE B	DWG. NO. DW-90 RH	REV B
SCALE: 1:48 WEIGHT:		SHEET 1 OF 1

**PROPRIETARY AND CONFIDENTIAL**  
 THE INFORMATION CONTAINED IN THIS  
 DRAWING IS THE SOLE PROPERTY OF  
 STAYING HOME CORPORATION. ANY  
 REPRODUCTION IN PART OR AS A WHOLE  
 WITHOUT THE WRITTEN PERMISSION OF  
 STAYING HOME CORPORATION IS  
 PROHIBITED.