

# Staying Home

OUTDOOR LEGACY STAIRLIFT

- Lowest priced outdoor unit
- Plated rack & pinion gear
- Anodized aluminum rail
- Protective coating on circuit board
- Plated chassis frame
- Stainless steel hardware
- Heavy duty canvas cover
- Sealed switches & waterproof connections
- Outdoor grade powder coating

## OUTDOOR WARRANTY

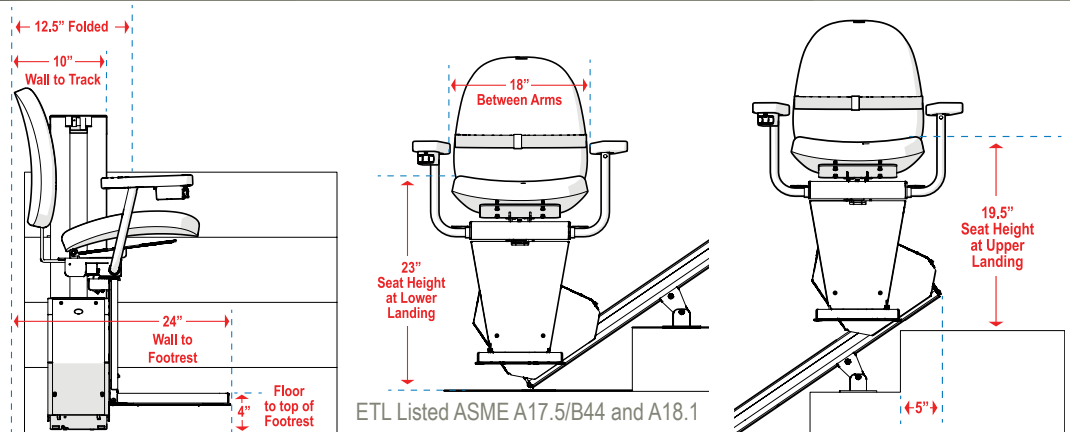
- 1 Year warranty on BATTERIES
- 2 Year warranty on PARTS
- 3 Year warranty on DRIVE TRAIN & CIRCUIT BOARD

**OUTDOOR PACKAGE INCLUDES HEAVY DUTY COVER**  
Cargo Box is optional equipment.



## Technical Information

Dimensions subject to change without notice.



CONTACT US DIRECTLY AT:  
**816-380-2427**



OR CALL US TOLL FREE AT:  
**877-378-4275**

Staying Home Corp. • P.O. Box 37 • Harrisonville, MO 64701  
2501 Anaconda Rd, Harrisonville, MO 64701  
info@stayinghome.com • www.stayinghome.com