


- Features:**
- Battery Powered: 24 VDC Control System
  - Rated Load: 500 lbs
  - Speed: 15-18 fpm
  - Max. Travel: 21'
  - Car Size: 34"W x 33"D x 76"H
  - Overhead Clearance: 86" Min.
  - Powder Coated Metal: Gray White
  - Vision Panels: Clear Acrylic
  - Car Light: Recessed LED
  - Telephone: Inside Telephone Cabinet
  - Automatic up/down controls
  - Key Lock on controls
  - Emergency Stop Switch and Alarm
  - Status LED
  - Winding Drum Drive with two 1/4" aircraft cables
  - Slack Cable Safety Device
  - Final Limit Switches
  - Electromechanical Interlocks on Hoistway Doors
  - Door Position switch on Sliding Car Gate

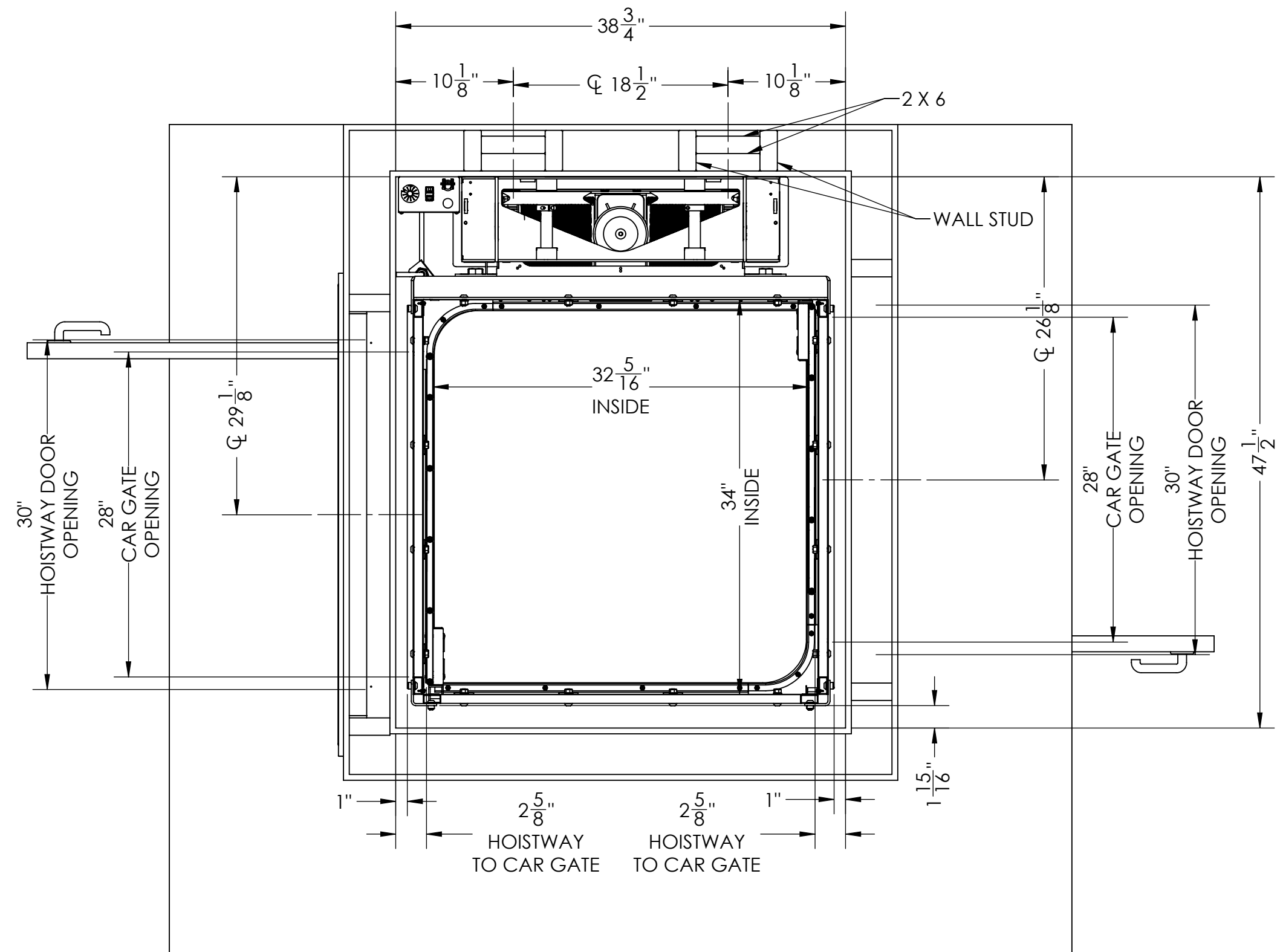
DESIGNED TO COMPLY WITH ASME A17.1 PART 5.3 - 2019 WHEN PROPERLY INSTALLED	DRAWN	NAME	DATE
	CHECKED		2/15/2024
	ENG APPR.		
	MFG APPR.		
	Q.A.		
<p><b>PROPRIETARY AND CONFIDENTIAL</b>          THE INFORMATION CONTAINED IN THIS DRAWING IS THE SOLE PROPERTY OF STAYING HOME CORPORATION. ANY REPRODUCTION IN PART OR AS A WHOLE WITHOUT THE WRITTEN PERMISSION OF STAYING HOME CORPORATION IS PROHIBITED.</p>			Staying Home Corporation 2501 Anaconda Rd Harrisonville, MO 64701 816-380-2427 www.stayinghome.com
	TITLE:		
	EZ6C PASS THRU LH CAR DOOR		
SIZE	DWG. NO.	REV	
B	TYP - EZ6CP-LH		
SCALE: 1:96		WEIGHT:	SHEET 1 OF 2

SPECIFICATIONS AND DIMENSIONS SUBJECT TO CHANGE WITHOUT NOTICE

8 7 6 5 4 3 2 1

D  
C  
B  
A

D  
C  
B  
A



DESIGNED TO COMPLY WITH ASME A17.1 PART 5.3 - 2019 WHEN PROPERLY INSTALLED

**PROPRIETARY AND CONFIDENTIAL**  
THE INFORMATION CONTAINED IN THIS DRAWING IS THE SOLE PROPERTY OF STAYING HOME CORPORATION. ANY REPRODUCTION IN PART OR AS A WHOLE WITHOUT THE WRITTEN PERMISSION OF STAYING HOME CORPORATION IS PROHIBITED.

	NAME	DATE
DRAWN		7/16/2019
CHECKED		
ENG APPR.		
MFG APPR.		
Q.A.		
COMMENTS:		



Staying Home Corporation  
2501 Anaconda Rd  
Harrisonville, MO 64701  
816-380-2427  
www.stayinghome.com

TITLE:		
SIZE B	DWG. NO. TYP - EZ6CP-LH	REV
SCALE: 1:64	WEIGHT:	SHEET 2 OF 2

8 7 6 5 4 3 2 1