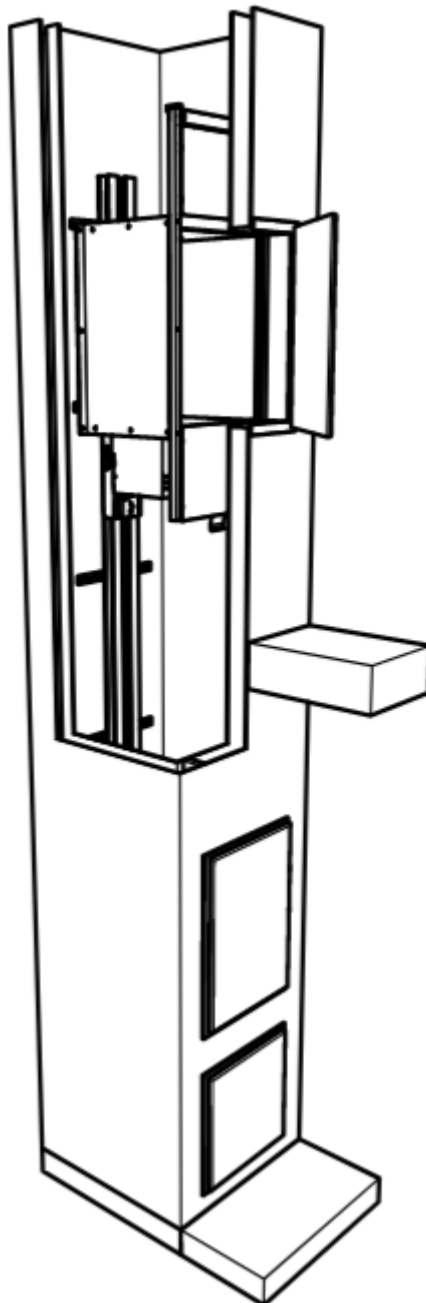


Hide-A-Waiter™ Planning Guide

Model **DW15**

July 11, 2024





Introduction

This Planning Guide is designed to assist architects, contractors, home owners and elevator professionals in planning for a dumbwaiter that meets the requirements of ASME A17.1 Section 7. We strongly recommend you contact the codes authority having jurisdiction in the area where the dumbwaiter will be installed. Become familiar with all requirements governing the installation and use of dumbwaiters. It is extremely important for you to know and adhere to all regulations concerning installation and use of dumbwaiters.

IMPORTANT NOTICE:

This Planning Guide provides nominal dimensions and specifications useful for initial planning of an dumbwaiter project. BEFORE beginning actual construction, be sure to receive application drawings customized with specifications and dimensions for your specific project. Call 877-378-4275 to find a dealer in your area or visit our website, www.stayinghome.com to request information.

Dumbwaiter configurations and dimensions are in accordance with our interpretation of the standards set forth by ASME A17.1 Part 7. Please consult Staying Home Corp. or an authorized dealer in your area for more specific information pertaining to your project, including any deviation between referenced standards and those of any local codes or laws. Always contact local codes authorities for any variation to standards.

The dimensions and specifications in this Planning Guide are subject to change (without notice) due to product enhancements and continually evolving codes and product applications.

Codes:

While Staying Home Corporation builds all dumbwaiters to meet ASME A17.1, Part 7, Dumbwaiters and Material Lifts Standard when installed correctly, some states, cities and/or counties implement local codes that override these standards. Always check with the local authority having jurisdiction to verify the codes that must be adhered to in you location.

Table of Contents

- About Staying Home Corporation 3
- Dumbwaiters 3
- Dumbwaiter Overview 4
- Key Features 4
- Basic Equipment 5
- Configurations 6-8
- Construction Details 9
- Machine Access Door 9
- Overhead Clearance and Sill Heights 10
- Electrical Details 10
- Optional Hoistway Doors 10

About Staying Home Corporation

Staying Home Corp. (SHC) is a manufacturer of accessibility lift related products. Each of our associates take a great deal of pride in designing and building products to assist people in staying in the homes they have grown to love.

Our products include residential elevators, dumbwaiters, stair lifts, wheelchair lifts and tornado shelters.

Located just south of Kansas City, MO in the small town of Harrisonville, we understand what it means to work hard and how important it is to spend your money wisely. Our toll-free number is 877-378-4275 and we are open Monday – Friday from 7:00 – 5:00 CST. Visit our website at www.stayinghome.com to see other products available to enable you to safely reside in your home.

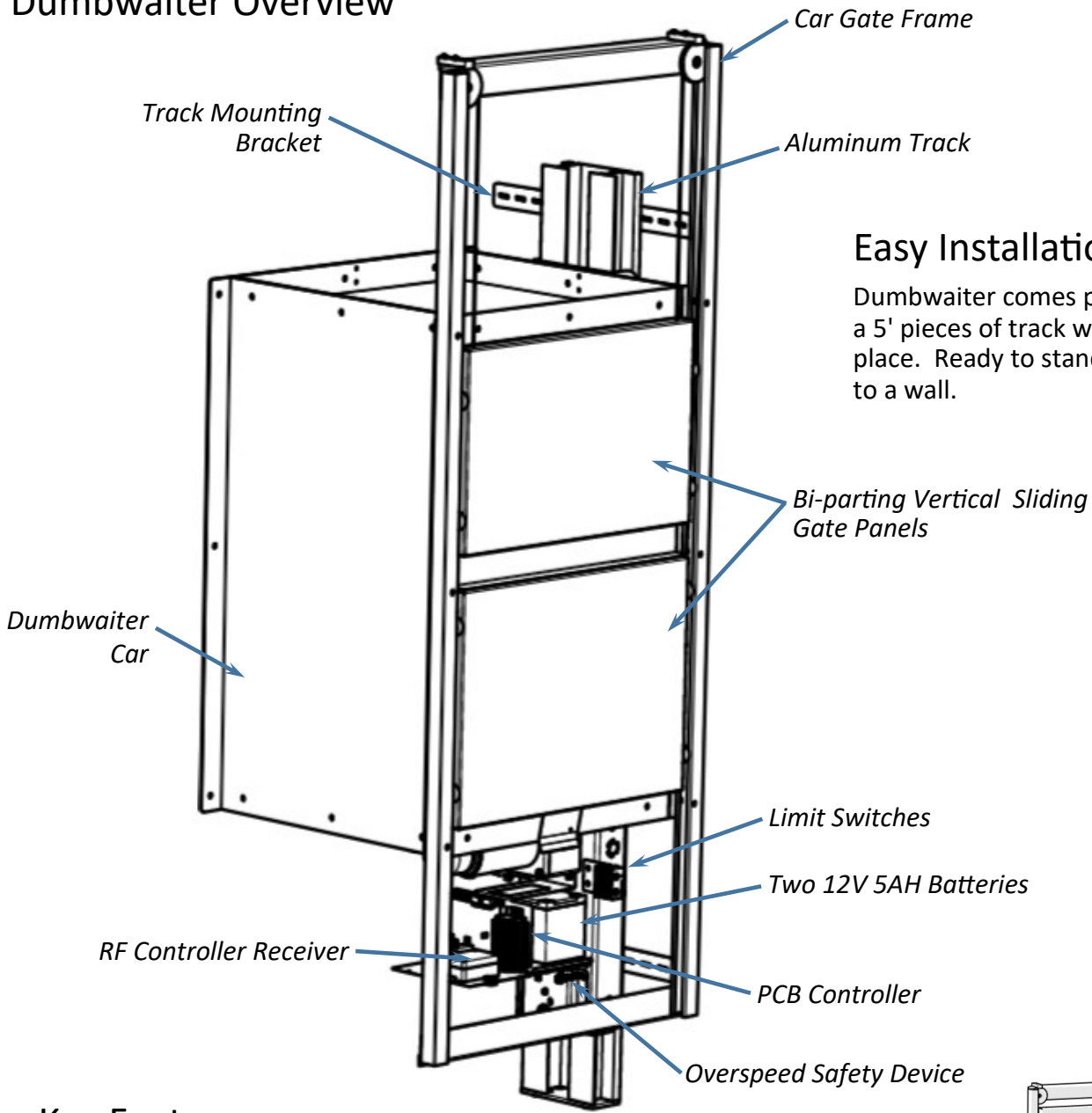
Dumbwaiter

SHC's Hide-A-Waiter complies with ASME A17.1 Section 7, the dumbwaiter is designed with the home owner in mind. This dumbwaiter is to be installed inside a hoistway. It does not require a pit or machine room. The bi-parting vertical sliding car gate rides with the car and keeps the cargo enclosed while the dumbwaiter is in motion.

Powered by two batteries, which are continually charged with standard household current, the dumbwaiter will operate even during a power outage. It is controlled by wireless radio frequency push button controls, so no additional wiring is required for a new installation.

The SHC Dumbwaiter is provided through our exclusive national dealer network. Please consult with your local authorized distributor to see if the SHC Dumbwaiter is the right fit for your project.

Dumbwaiter Overview

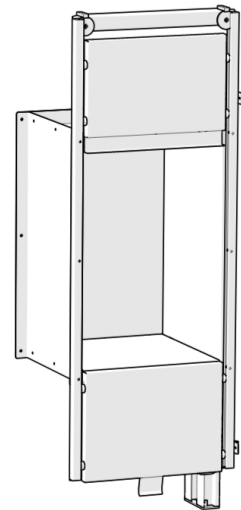


Easy Installation

Dumbwaiter comes pre-installed on a 5' pieces of track with brackets in place. Ready to standup and attach to a wall.

Key Features

- Full time battery powered for use during power outages
- Compact design with small footprint
- Choose from six car configurations
- On board diagnostic troubleshooting
- Uses a standard 120 VAC outlet
- No pit or machine room required
- For new or existing construction
- Reaches up to 50' between landings
- 3 Year warranty on drive train
1 year on batteries
2 years on other parts



Car shown with Car Gate in open position

Basic Equipment

Standard Features

- Travel up to 50'
- Capacity: 200 or 275 lbs
- Extruded aluminum track
- Rack and pinion drive
- Speed: 18-20 fpm
- Maximum number of stops: 4
- Finish: RAL 9002 powder coated steel panels
- Bi-parting vertical sliding car gate
- Battery powered
- Battery charger
- Controller: Circuit board

Safety Features

- Limit switches at each stop
- Final limit at top and bottom
- Car door switch
- Machine access door switch
- Residential hoistway door interlocks
(Monitors door closed and door open circuits)
- Overspeed safety device

Controls

- Operation: Automatic
- RF wireless hall stations

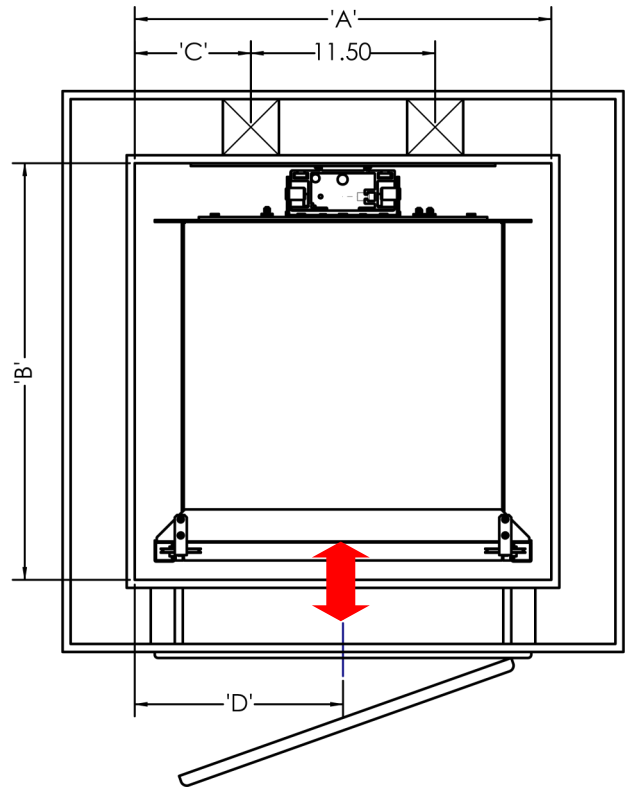
Optional Equipment

- 3 Car sizes:
 - 20"W x 20"D x 30"H - capacity: 200 lbs
 - 24"W x 24"D x 30"H - capacity: 200 lbs
 - 30"W x 30"D x 36"H - capacity: 275 lbs
- Custom Sizes are available
- Stainless steel car panels
- Key switch on hall stations
- 'Car Here' indicator on hall stations
- Automatic car lighting
- Automatic homing
- Adjustable wire shelf
- Sliding shelf
- Maple or Poplar wooden hoistway doors

Car Configurations

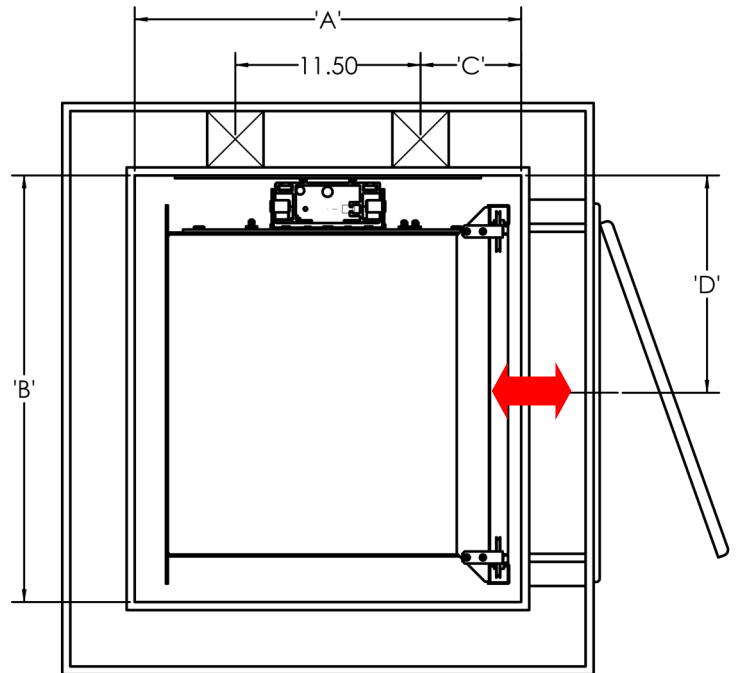
Single Front Opening

Car Size	'A'	'B'	'C'	'D'
20 X 20	26"	26"	7-1/4"	13"
24 X 24	30"	30"	9-1/4"	15"
30 X 30	36"	36"	12-1/4"	18"



Single Side Opening

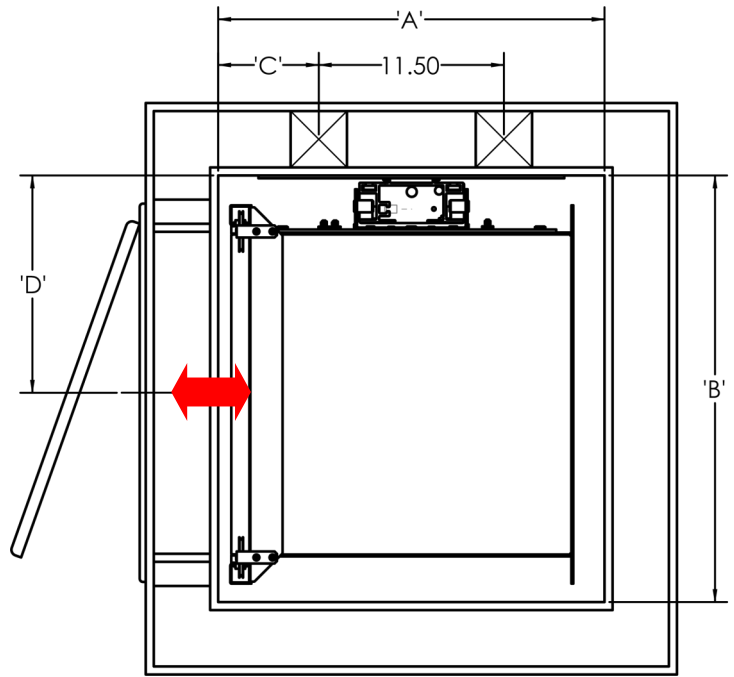
Car Size	'A'	'B'	'C'	'D'
20 X 20	24"	27"	6-1/4"	13-1/2"
24 X 24	28"	31"	8-1/4"	15-1/2"
30 X 30	34"	37"	11-1/4"	18-1/2"



Right Side Opening

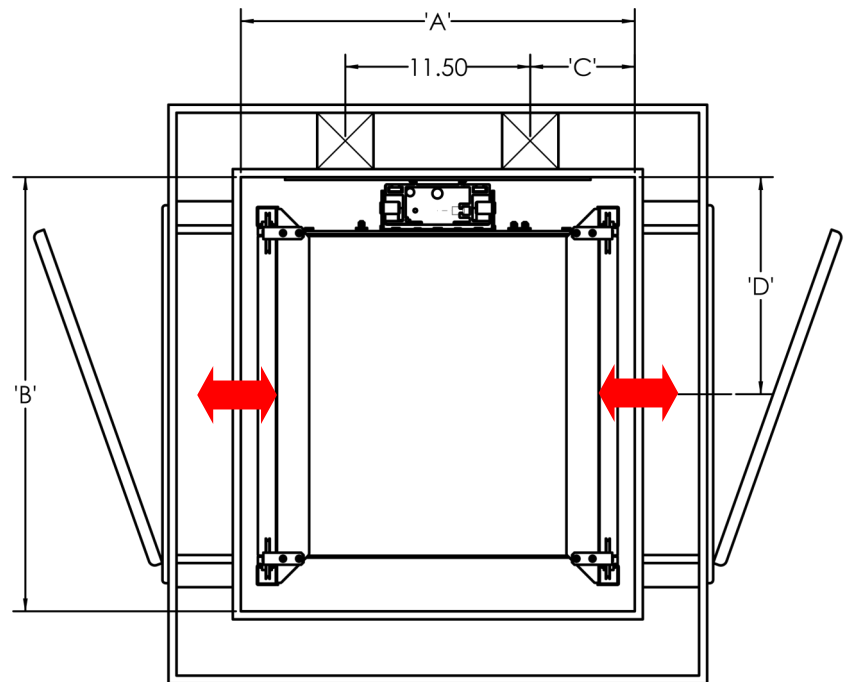
Single Side Opening

Car Size	'A'	'B'	'C'	'D'
20 X 20	24"	27"	6-1/4"	13-1/2"
24 X 24	28"	31"	8-1/4"	15-1/2"
30 X 30	34"	37"	11-1/4"	18-1/2"



Left Side Opening

Double Straight-thru Openings

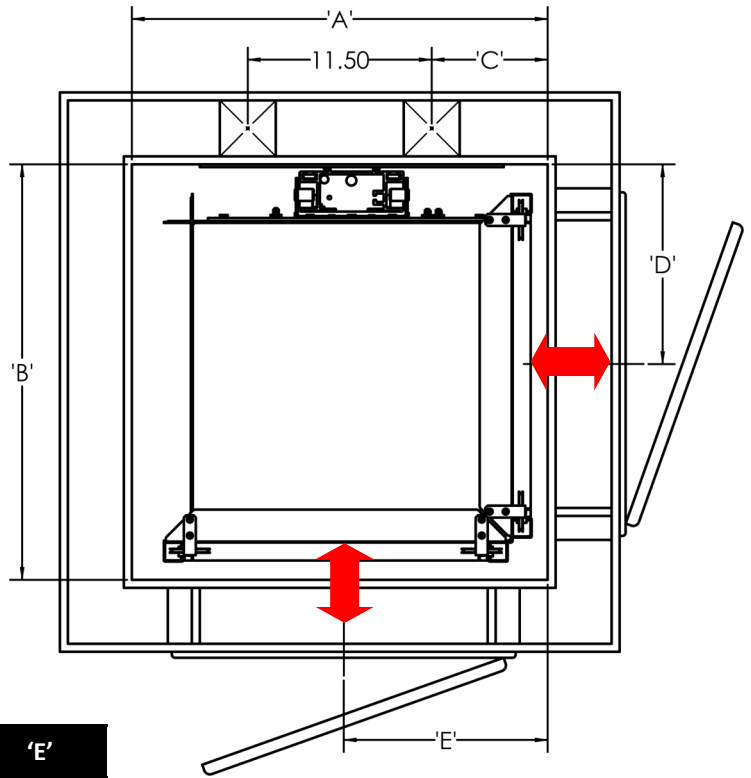


Straight-thru Openings

Car Size	'A'	'B'	'C'	'D'
20 X 20	24-1/2"	27"	6-1/2"	13-1/2"
24 X 24	28-1/2"	31"	8-1/2"	15-1/2"
30 X 30	34-1/2"	37"	11-1/2"	18-1/2"

90° Adjacent Openings Front and Right Side Openings

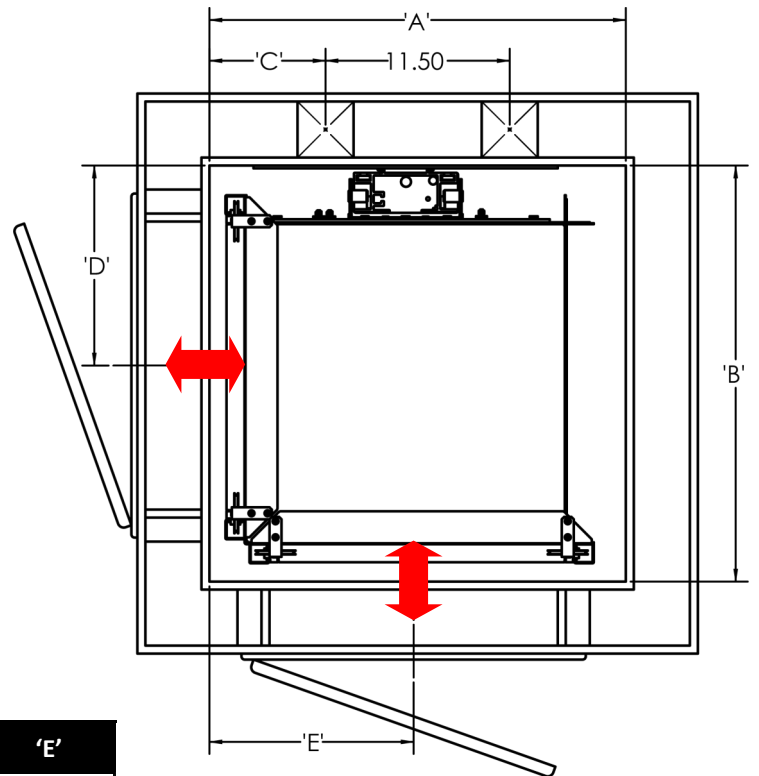
Note: Clear opening width is 2" less than the car width.



Car Size	'A'	'B'	'C'	'D'	'E'
20 X 20	26"	26"	7-1/4"	12-1/2"	12-3/4"
24 X 24	30"	30"	9-1/4"	14-1/2"	14-3/4"
30 X 30	36"	36"	12-1/4"	18-1/2"	17-3/4"

Front and Left Side Openings

Note: Clear opening width is 2" less than the car width on 90° configurations.



Car Size	'A'	'B'	'C'	'D'	'E'
20 X 20	26"	26"	7-1/4"	12-1/2"	12-3/4"
24 X 24	30"	30"	9-1/4"	14-1/2"	14-3/4"
30 X 30	36"	36"	12-1/4"	17-1/2"	17-3/4"

Hoistway Construction Details

Recommend 4X4 Lumber Posts as backing for Track Mounting Bracket (Running continuous from floor joist to ceiling joist)

Drywall (shown cut-away)

11-1/2"

Track Bracket

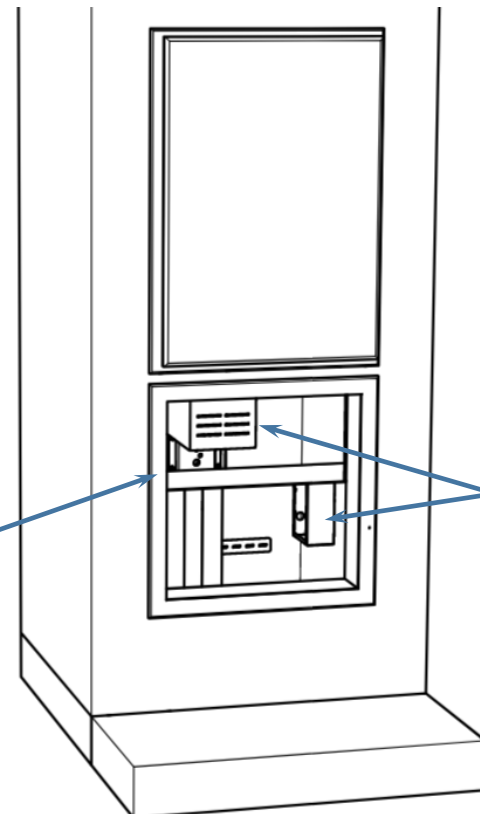
Aluminum Track

Machine Access Door

A lockable machine access door is required to access equipment for maintenance and repair. It should be located below the lower landing sill. It can be on any wall in the hoistway.

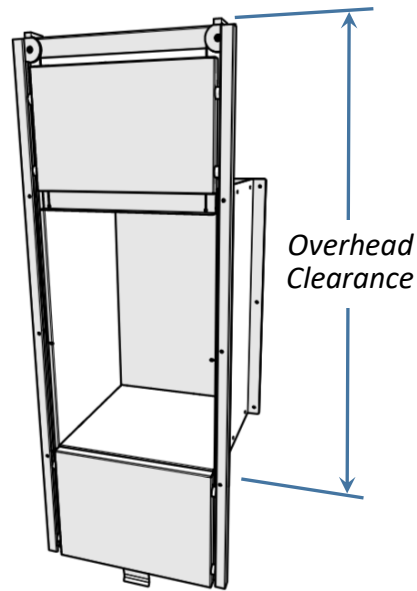
Machine Access Door (minimum 24"x 24")

Equipment underneath Car



Overhead Clearance and Sill Heights

- 30" high Car = 48" above top floor sill.
- 36" high Car = 57" above top floor sill.
- Sill height at top floor can be any height.
- Minimum sill height at bottom floor is 17".

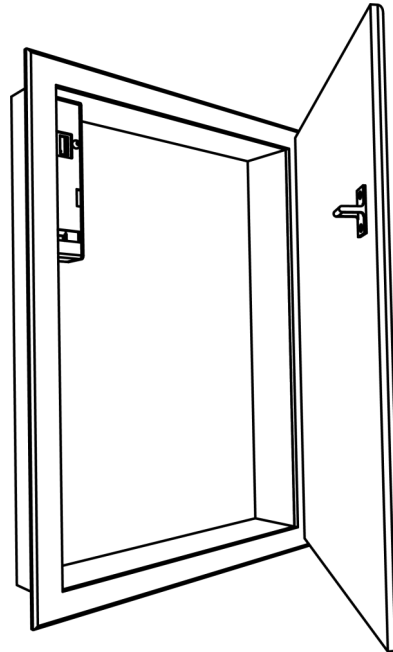


Electrical Details

- Standard household 120 VAC outlet required in the lower area of the hoistway.
- Dumbwaiter runs on battery power. The batteries are continuously charged by a 2 amp smart battery charger.

Optional Hoistway Doors

- Available in solid Maple and Poplar wood.
- Finish is sanded.
- Clear opening size matches the car size.
- Rough opening is car size plus 1-1/2".
- Interlocks are included in the dumbwaiter package.



Staying Home Corporation
2501 Anaconda Rd
Harrisonville, MO 64701
816-380-2427
www.stayinghome.com