

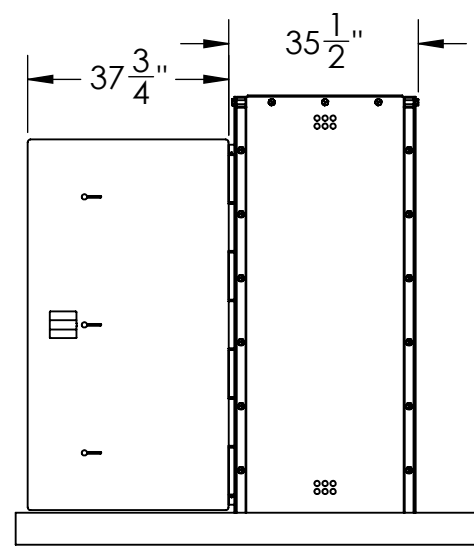
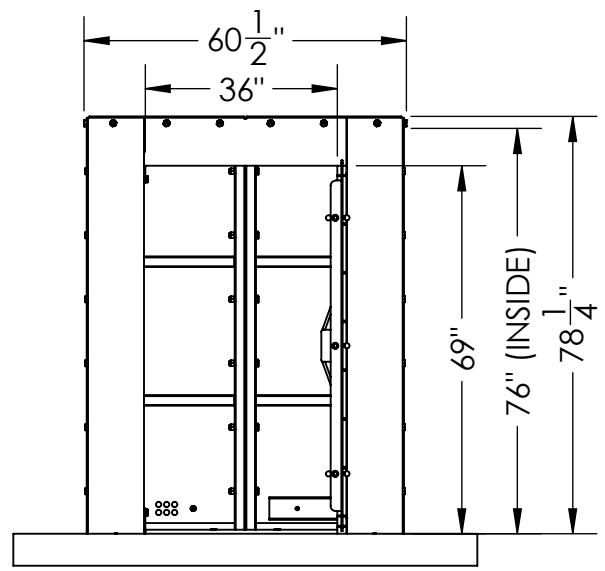
**FEATURES**

- INTERIOR FLOOR AREA
  - 11 SF
- WALL, CEILING AND DOOR PANELS
  - 1/4" STEEL PLATE
- WALL AND CEILING PANEL REINFORCEMENT
  - 2"x2"x3/16" SQUARE TUBES WELDED TO WALL PANEL
- DOOR PANEL REINFORCEMENT
  - 1/4" STEEL PLATES WELDED TO DOOR PANEL
- DOOR HINGE
  - CONTINUOUS HINGE WITH 1-3/4" X 9" KNUCKLES
  - 15/16" DIA. SOLID STEEL HINGE PIN
  - CONNECTIONS MADE WITH WELDED SPLINE JOINTS
- DOOR LOCKING SYSTEM
  - THREE 15/16" DIA. SLIDE BARS
- FASTENERS
  - 3/4" DIA GRADE 5 BOLTS
- ANCHORING SYSTEM
  - 5/8" DIA. POWERS WEDGE-BOLT+ SCREW ANCHORS
- POWDER COATED FINISH

DESIGNED AND CONSTRUCTED IN ACCORDANCE WITH FEMA 361/320 AND ICC-500-2008

TESTED AND APPROVED BY WIND SCIENCE & ENGINEERING RESEARCH CENTER - DEBRIS IMPACT TEST FACILITY


ATSA (AMERICAN TORNADO SHELTER ASSOC) LISTED



REVISIONS			
REV.	DESCRIPTION	DATE	BY
A	RELEASE	6/29/2023	DF
B	REVISED ASSEMBLY	6/10/2024	DF

UNLESS OTHERWISE SPECIFIED:  
 DIMENSIONS ARE IN INCHES  
 TOLERANCES:  
 FRACTIONAL ± 1/4  
 ANGULAR: ± 0.5°  
 ONE PLACE DECIMAL ± 0.1  
 TWO PLACE DECIMAL ± 0.01  
 THREE PLACE DECIMAL ± 0.005  
 INTERPRET GEOMETRIC TOLERANCING PER:  
 MATERIAL  
 FINISH  
 DO NOT SCALE DRAWING

	NAME	DATE
DRAWN		6/27/2023
CHECKED		
ENG APPR.		
MFG APPR.		
Q.A.		



2501 Anaconda Rd  
Harrisonville, MO 64701  
816-380-2427  
www.your-outdoor.com

**TITLE:**  
Hide-Away II Shelter

SIZE <b>B</b>	DWG. NO. <b>FXII - 2X1</b>	REV <b>B</b>
------------------	-------------------------------	-----------------

WEIGHT: 2058 LBS SHEET 1 OF 1