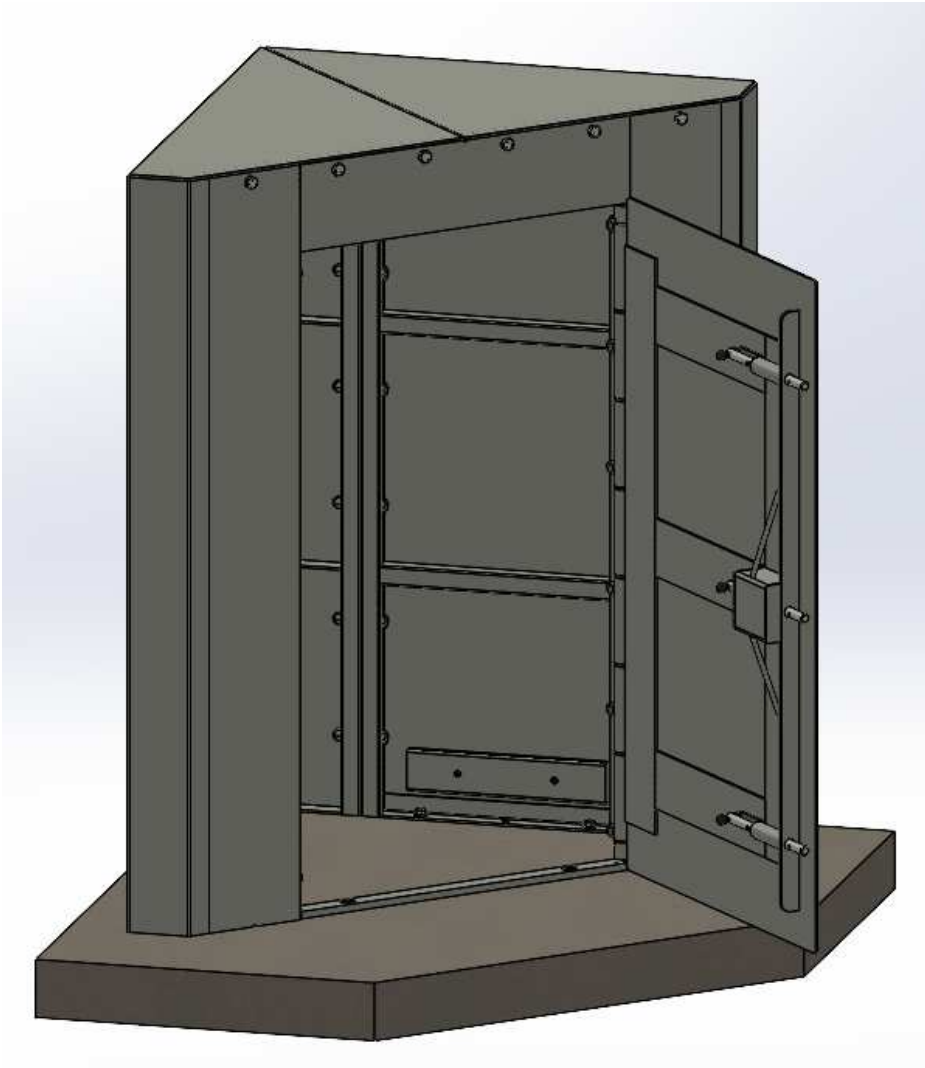


Hide Away Storm Shelter™ FXII Corner Assembly Instructions



The Hide-Away shelter is designed and tested to give maximum protection and many years of safe shelter from storms. Before attempting to install the shelter read this manual & follow the safe operational procedures and warnings to prevent injury and or death.

Warning: never use shelter in the event of fire!

Warning: never use shelter when flooding is present.

Warning: safeguard children from playing on or with shelter when not in use.

Warning: any electrical supply to the shelter must be properly grounded and meet NEC requirements.

Warning: never use cooking heat / cooking stoves inside the shelter due to inadequate ventilation.

Warning: never use a generator inside the shelter.

Do not store non-emergency items inside the shelter as this may prevent you from being able to use all the inside space during a storm.

Tools needed:

1-1/16" wrench or socket and 1/2" ratchet

1-1/8" wrench or socket

15/16" socket

7/16" wrench or socket and 3/8" ratchet

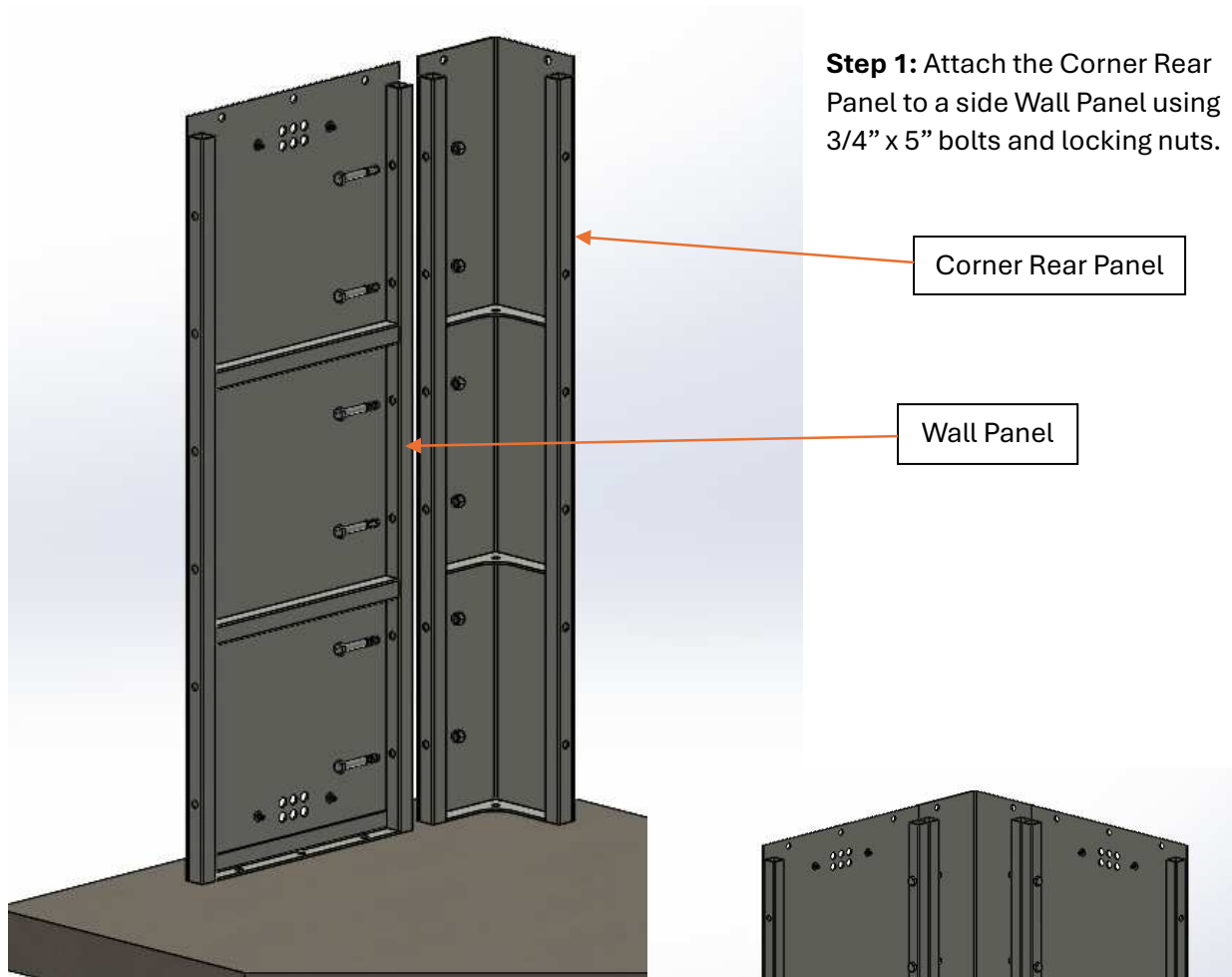
3/8" wrench or socket

7/32" Allen key or hex bit socket

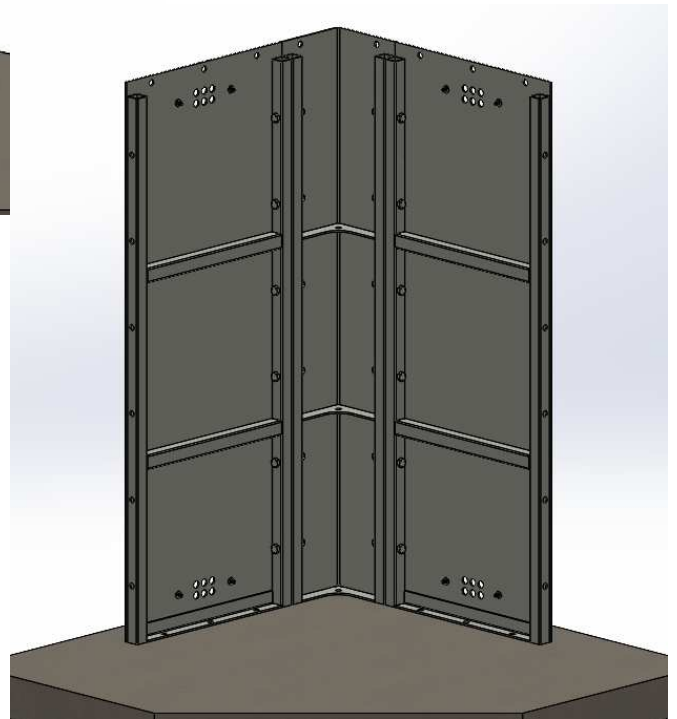
Hammer drill with 5/8" concrete bit

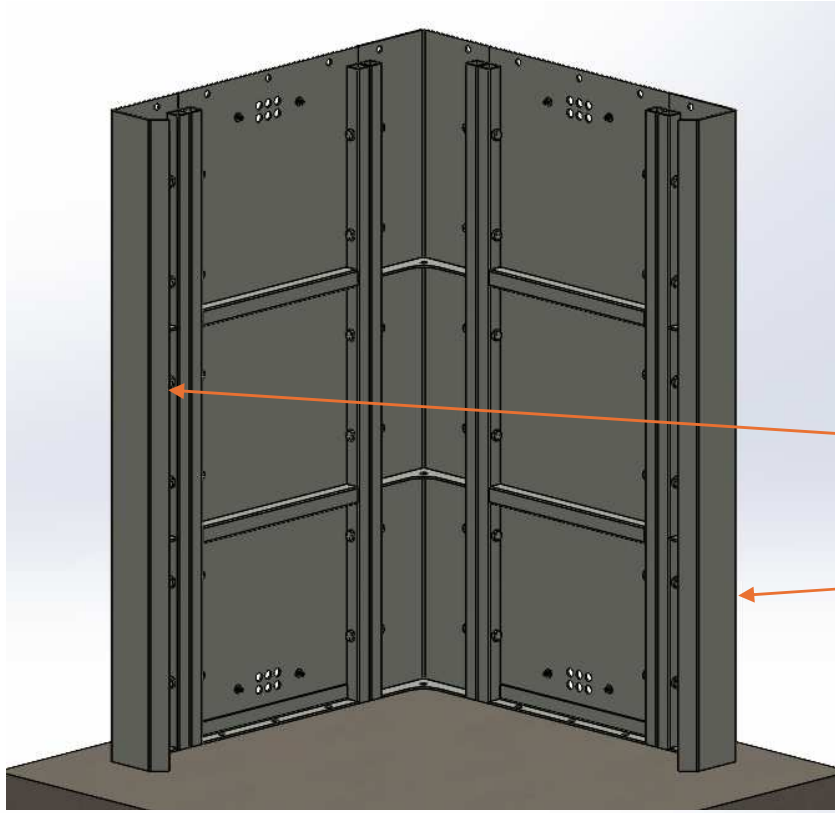
Optional: 1/2" impact gun for 1-1/16", 1-1/8", and 15/16" sockets

Install fasteners hand tight only until the entire shelter is assembled. This will aid in allowing all panels to line up appropriately.



Step 2: Attach the other side Wall Panel to the Corner Rear Panel using 3/4" x 5" bolts and locking nuts.

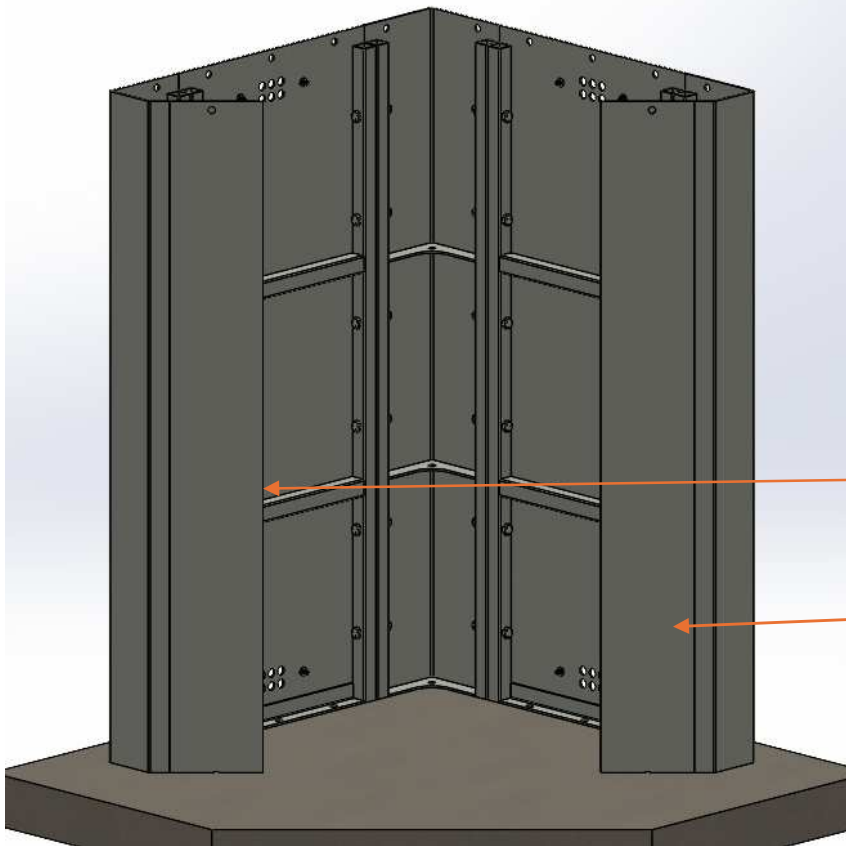




Step 3: Attach Corner Front Left Panel and Corner Front Right Panel to the side Wall Panels using 3/4" x 5" bolts and locking nuts.

Corner Front Left Panel

Corner Front Right Panel

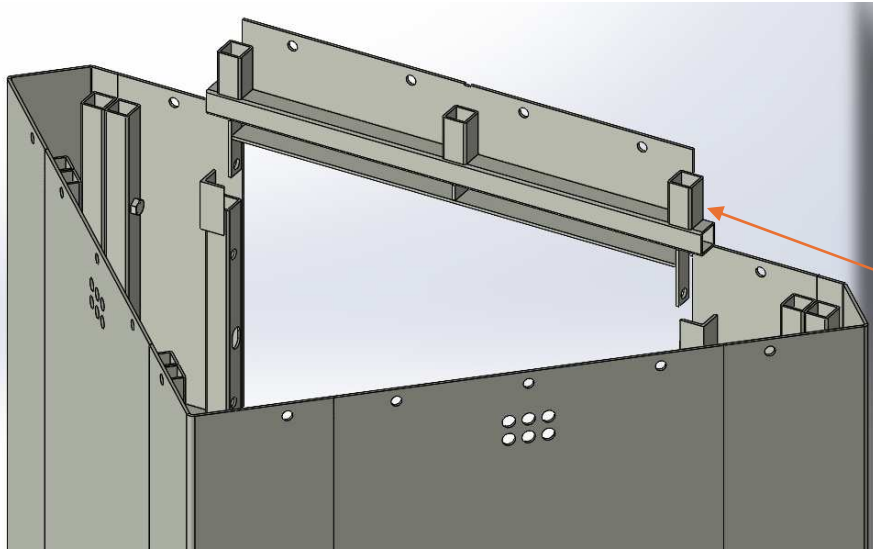


Step 4: Attach Left Door Jamb to Corner Front Left Panel using 3/4" x 5" bolts and locking nuts.

Attach Right Door Jamb to Corner Front Right Panel using 3/4" x 5" bolts and locking nuts.

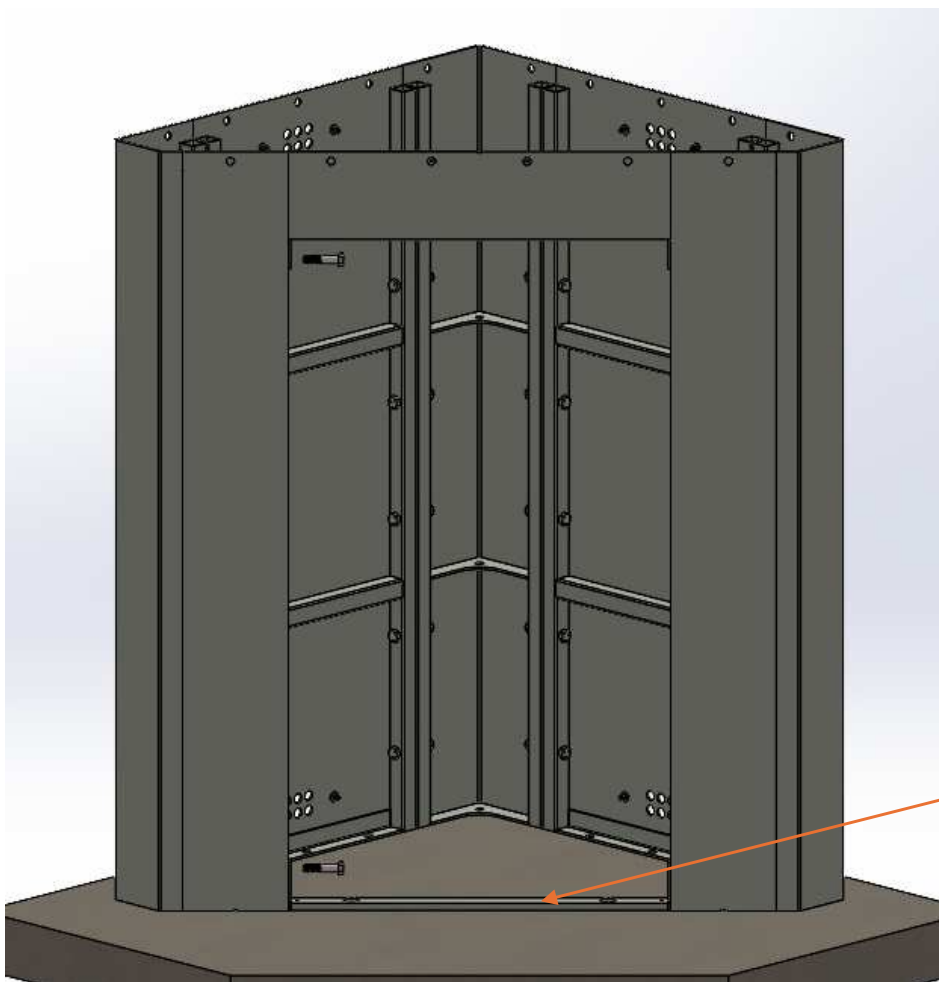
Left Door Jamb

Right Door Jamb



Step 5: Slide the Door Header into the Left and Right Door Jamb Panels.

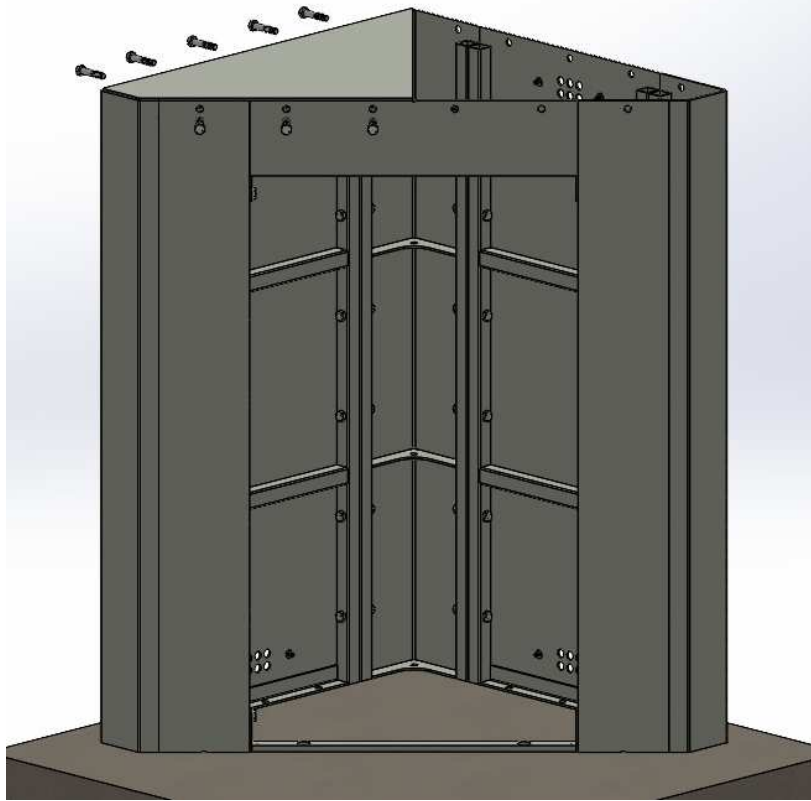
Door Header



Step 6: Attach Door Header to Door Jamb using a 3/4" x 3-1/2" bolt and locking nut on the non-hinging side of the door opening only.

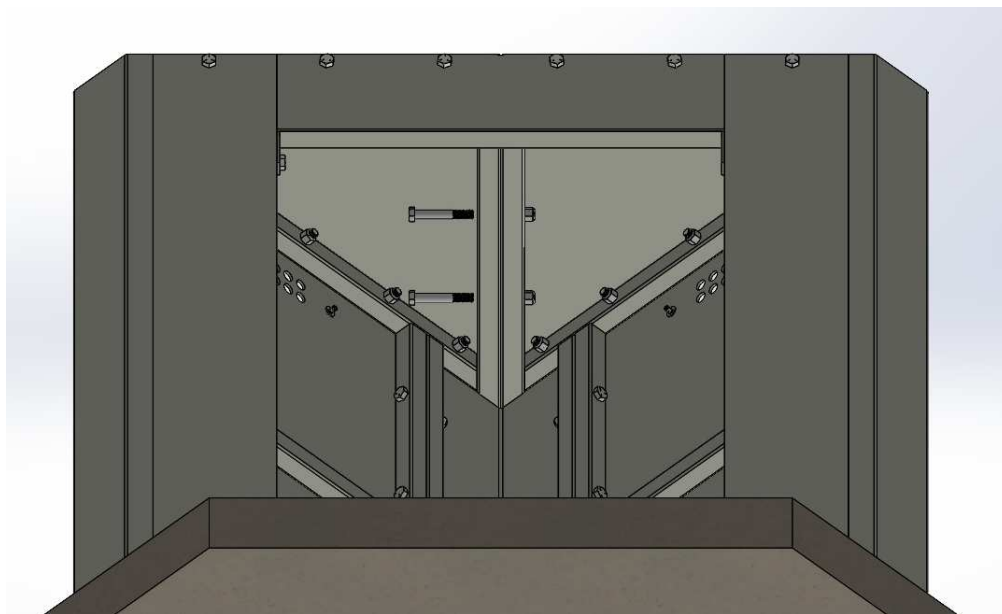
Step 7: Attach Door Threshold using 3/4" x 3-1/2" bolt and locking nut on the non-hinging side of the door opening only.

Door Threshold



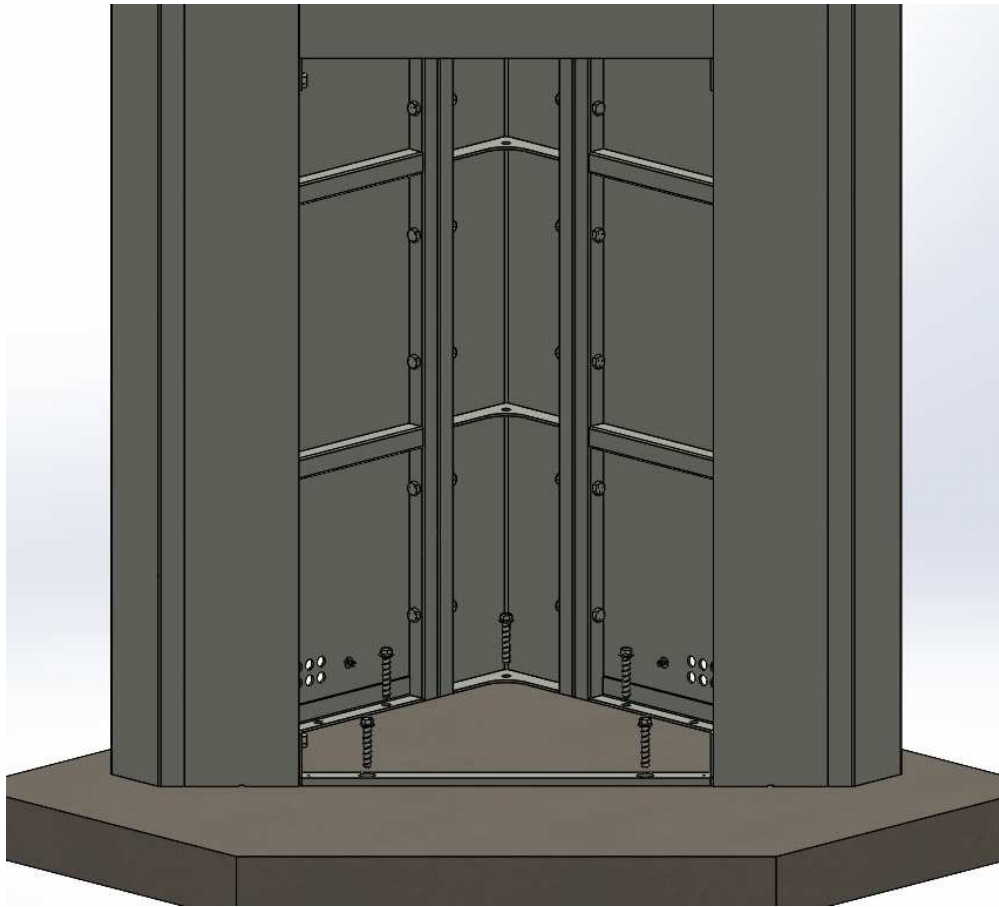
Step 8: Attach the Left Ceiling Panel to the top of the shelter using 3/4" x 3-1/2" bolts and locking nuts.

Step 9: Attach the Right Ceiling Panel using the same hardware as the Left Ceiling Panel in Step 8.



Step 10: Attach the Right Ceiling Panel to the Left Ceiling Panel using 3/4" x 5" bolts and locking nuts.

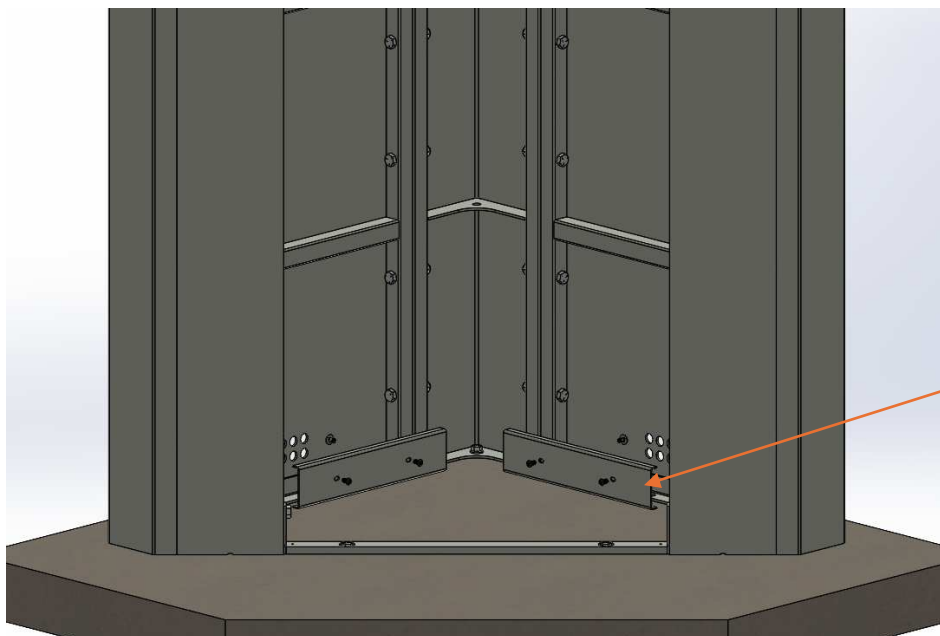
Step 11: Tighten all fasteners in corners, wall panels, and ceiling panels.



Step 12: With the shelter in its final position, drill 5/8" holes 4-1/2" deep using a concrete bit and hammer drill.

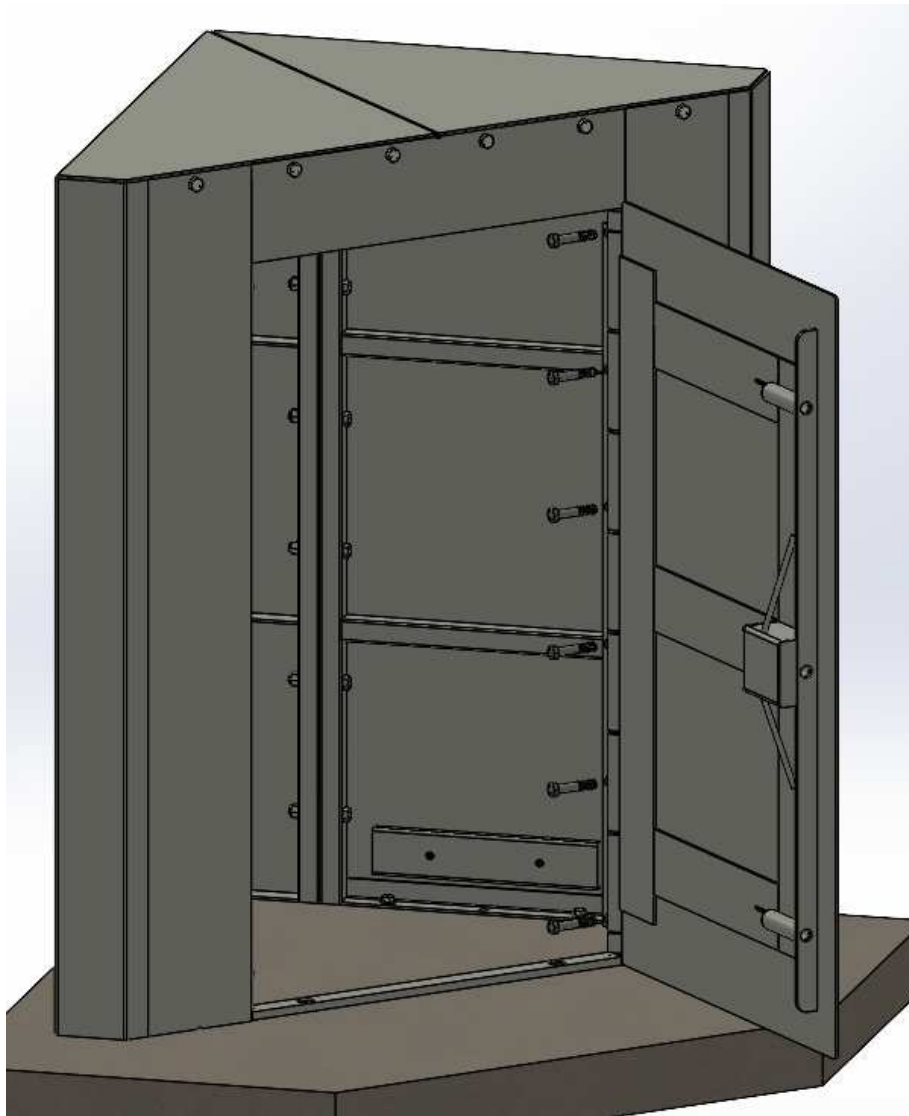
There are eleven holes to drill. Two holes per Wall Panel, one in each Corner Panel, one in each Door Jamb panel, and two in the Door Threshold.

Step 13: Install the 5/8" x4" concrete anchors.



Step 14: Attach the Vent Baffles using 3/8" x 3/4" button head bolts.

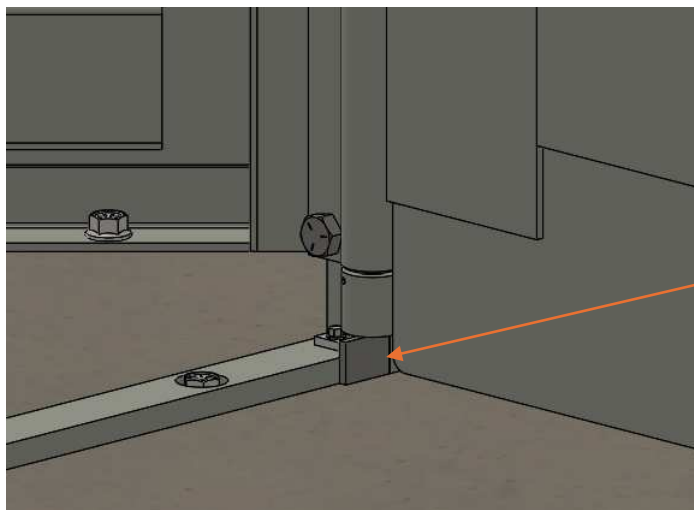
Vent Baffle



Step 15: Attach the Door Assembly to the Door Jamb using 3/4" x 4" bolts and locking nuts through the Door hinge.

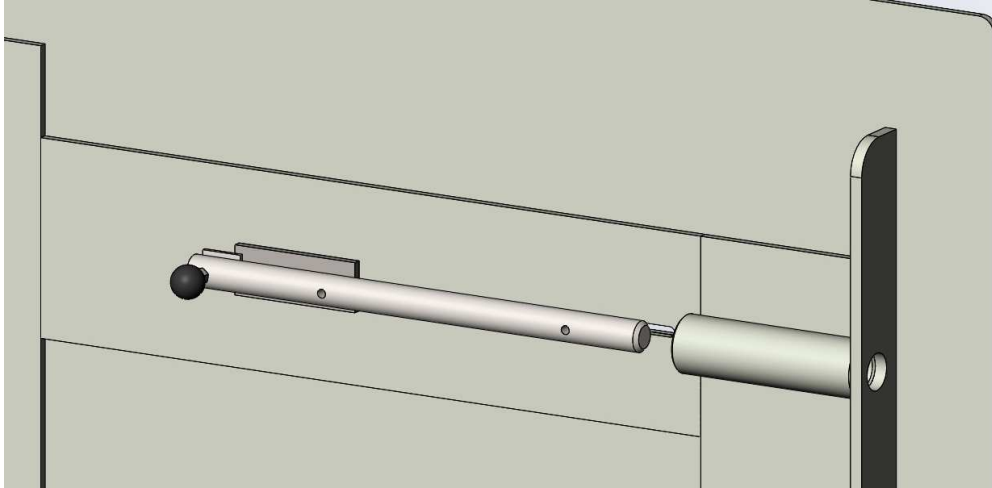
The bolts will also pass through the Door Header tab at the top and the Door Threshold tab at the bottom.

**Door swing may be opposite from shown*

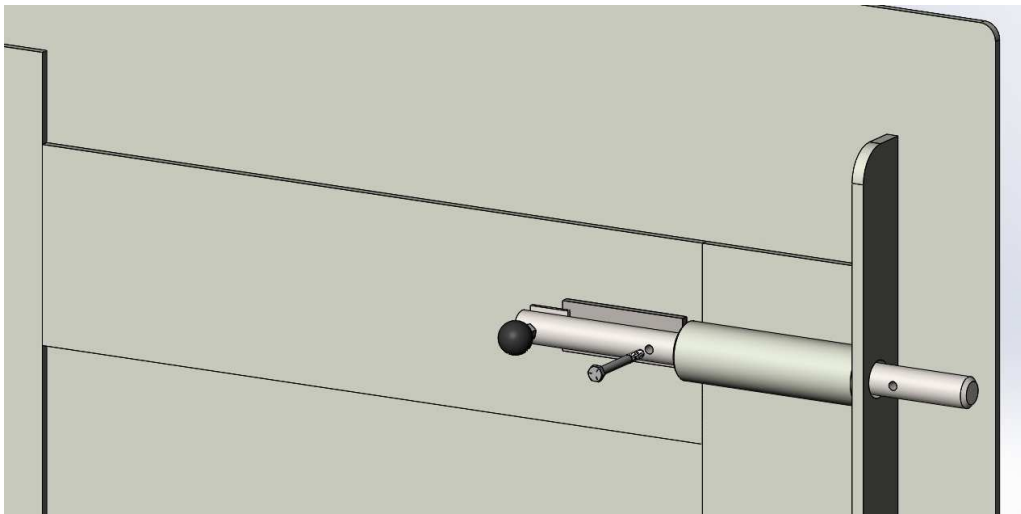


Step 16: Attach the Door Threshold Cover under the Door hinge using a 1/4" x 3/4" bolt as shown.

Door Threshold Cover



Step 17: Slide the Door Latch Bars into the Door as shown.



Step 18: Insert the 1/4" x 3-1/2" bolt through the Latch Bar.



Step 19: On the outside, attach a locking nut onto the Latch Bar bolt.

NOTE: DO NOT OVERTIGHTEN, THE LATCH BAR MUST SLIDE FREELY

Thread the Latch Bar Knob onto the bolt. It is recommended to apply a small drop of blue Loctite to the threads of the Knob.