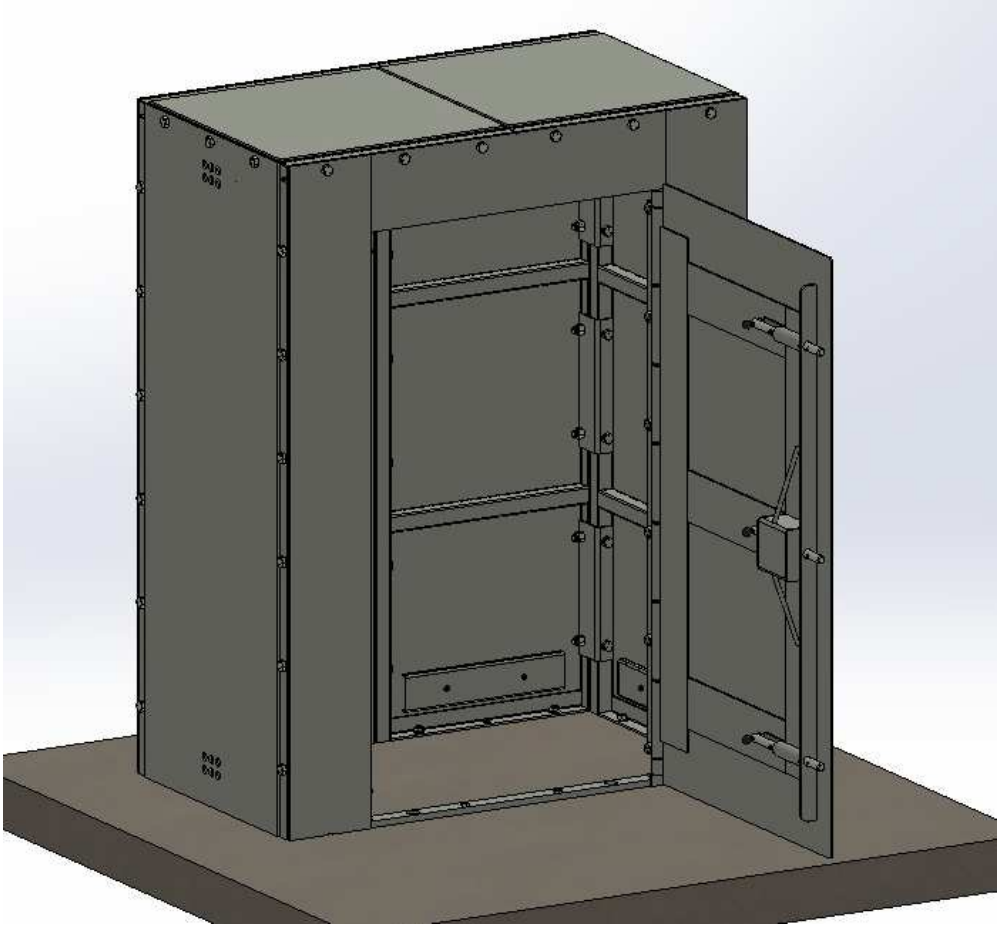


Hide Away Storm Shelter™ FXII

Assembly Instructions



The Hide-Away shelter is designed and tested to give maximum protection and many years of safe shelter from storms. Before attempting to install the shelter read this manual & follow the safe operational procedures and warnings to prevent injury and or death.

Warning: never use shelter in the event of fire!

Warning: never use shelter when flooding is present.

Warning: safeguard children from playing on or with shelter when not in use.

Warning: any electrical supply to the shelter must be properly grounded and meet NEC requirements.

Warning: never use cooking heat / cooking stoves inside the shelter due to inadequate ventilation.

Warning: never use a generator inside the shelter.

Do not store non-emergency items inside the shelter as this may prevent you from being able to use all the inside space during a storm.

Tools needed:

1-1/16" wrench or socket and 1/2" ratchet

1-1/8" wrench or socket

15/16" socket

7/16" wrench or socket and 3/8" ratchet

3/8" wrench or socket

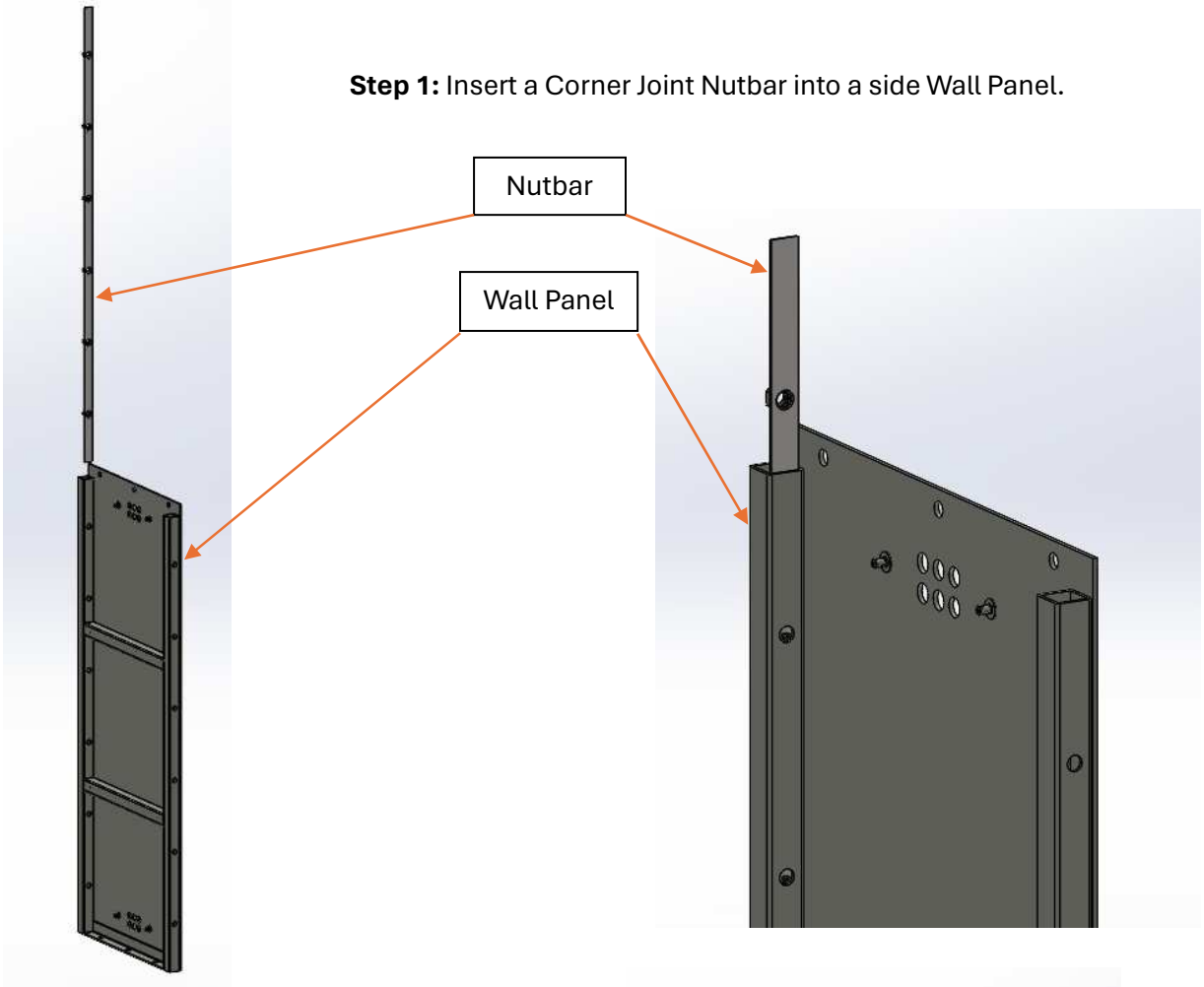
7/32" Allen key or hex bit socket

Hammer drill with 5/8" concrete bit

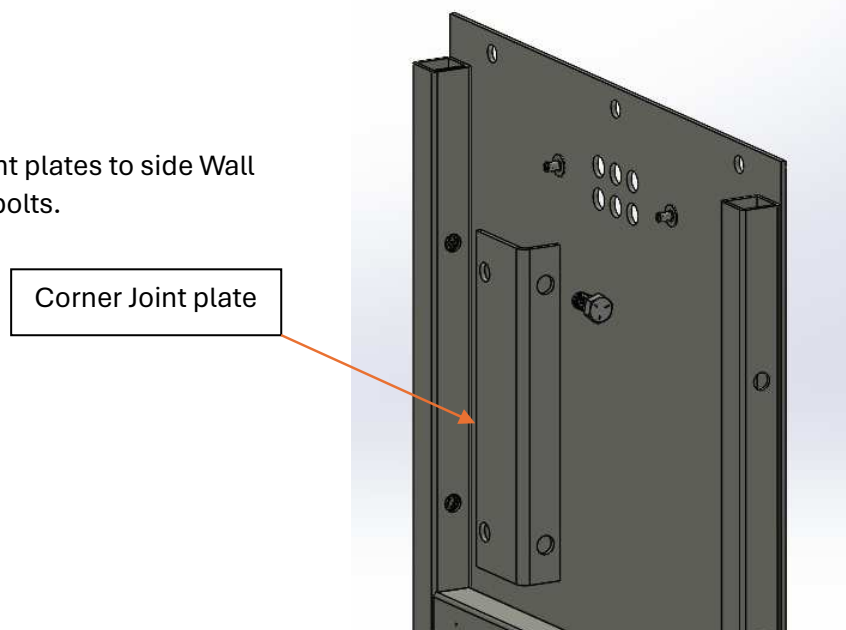
Optional: 1/2" impact gun for 1-1/16", 1-1/8", and 15/16" sockets

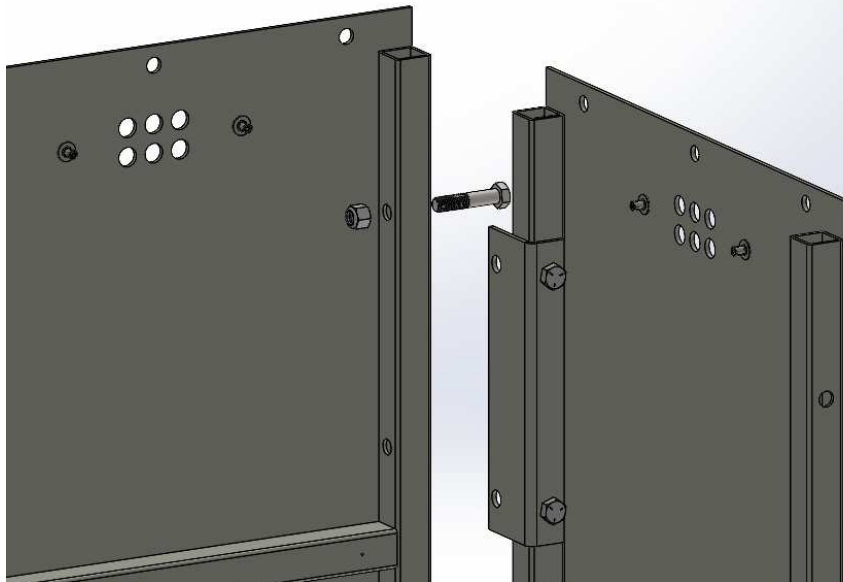
Install fasteners hand tight only until the entire shelter is assembled. This will aid in allowing all panels to line up appropriately.

Step 1: Insert a Corner Joint Nutbar into a side Wall Panel.



Step 2: Attach Corner Joint plates to side Wall Panel using 3/4" x 1-1/2" bolts.

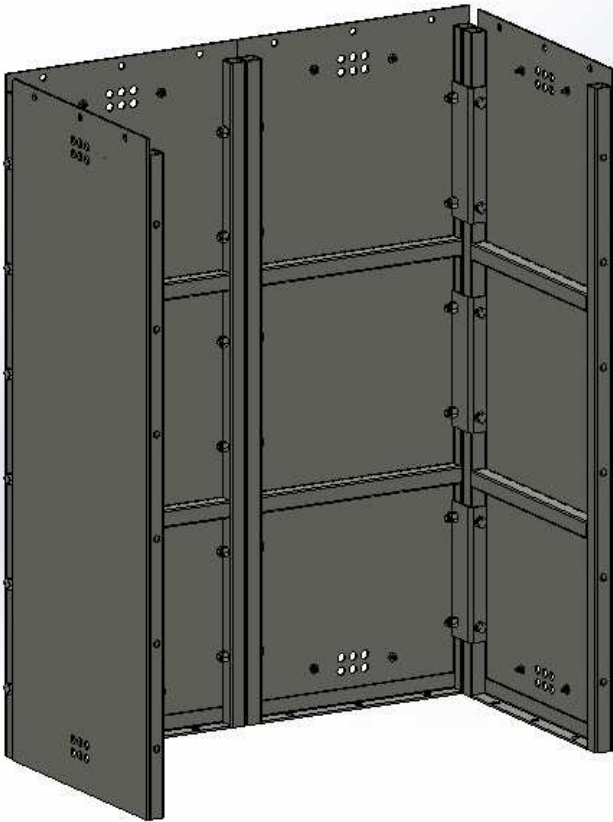




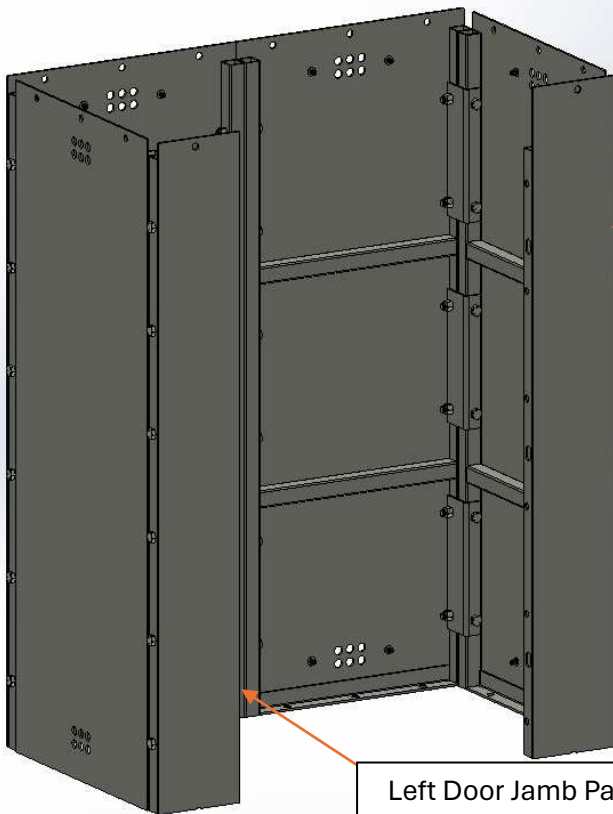
Step 3: Attach side Wall Panel to back Wall Panel by using 3/4" x 3-1/2" bolts and locking nuts through the Corner Joint plate.



Step 4: Attach additional back Wall Panels together using 3/4" x 5" bolts and locking nuts.



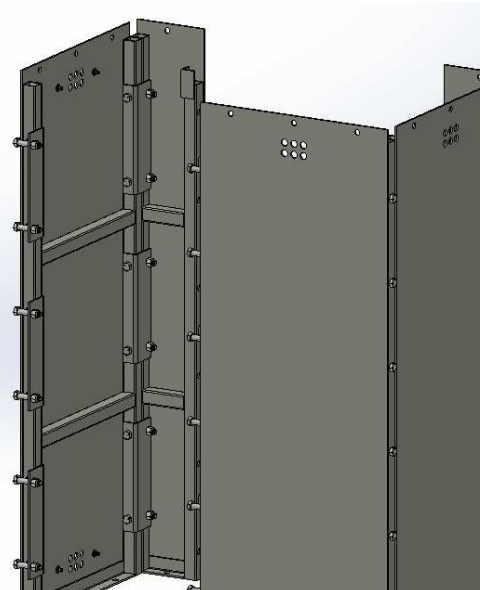
Step 5: Attach opposite side Wall Panel using Corner Joint plates, Nutbar and hardware as shown in **Steps 1-3**.

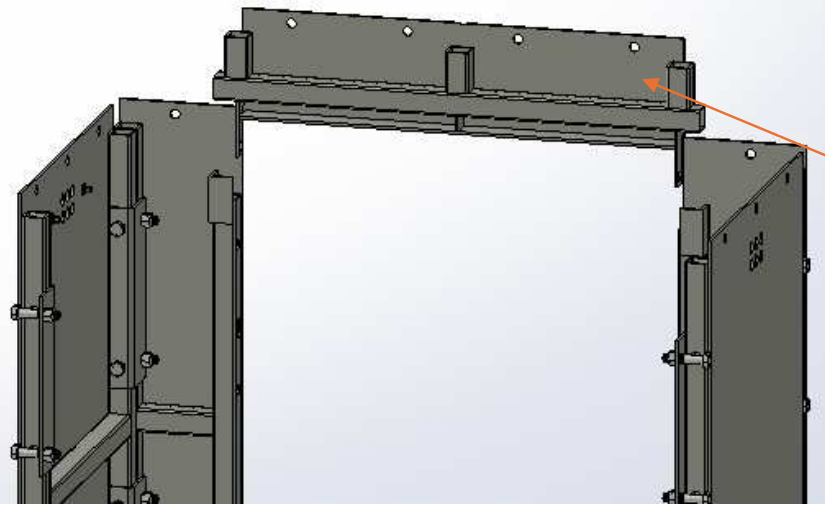


Step 6: Attach Left and Right Door Jamb Panels to the side Wall Panels using Corner Joint plates, Nutbar and hardware as shown in **Steps 1-3**.

Right Door Jamb Panel

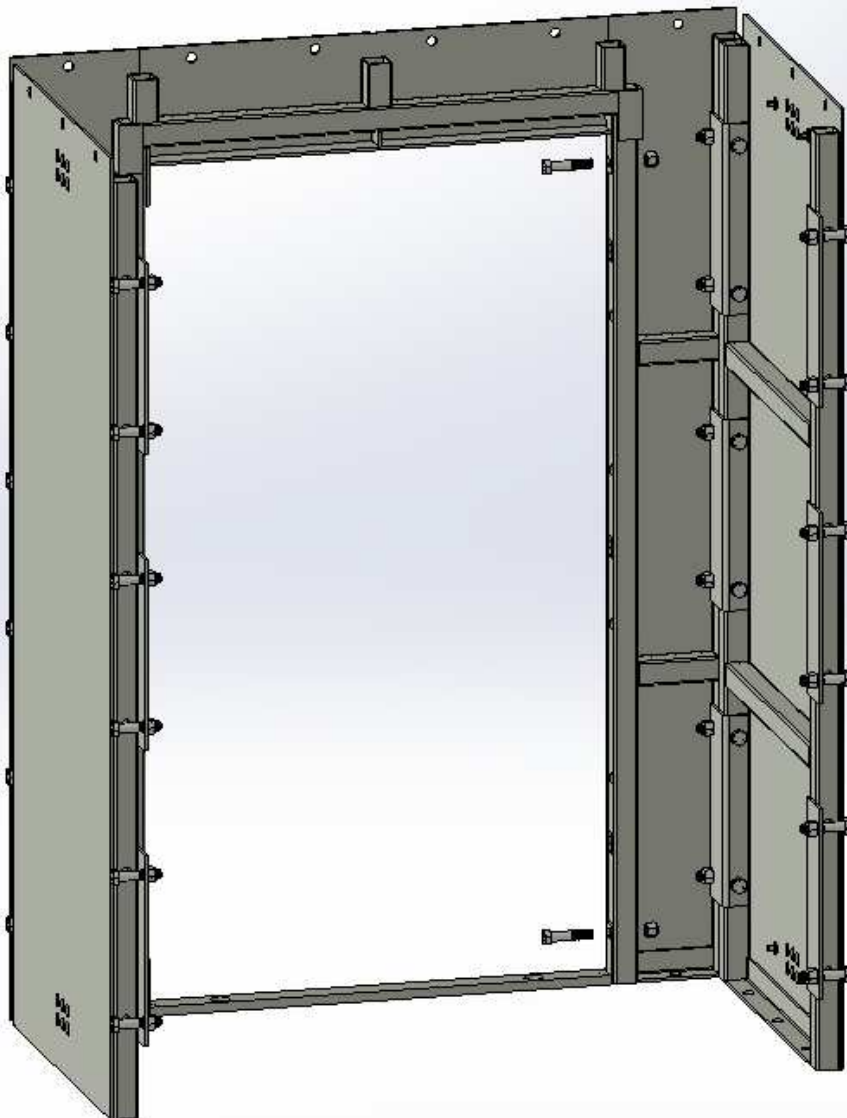
Left Door Jamb Panel





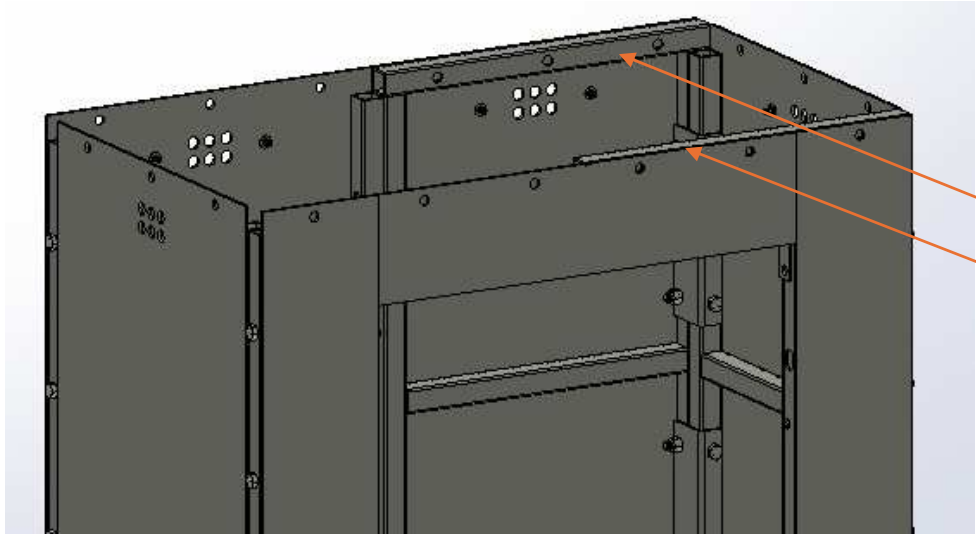
Step 7: Slide the Door Header into the Left and Right Door Jamb Panels.

Door Header



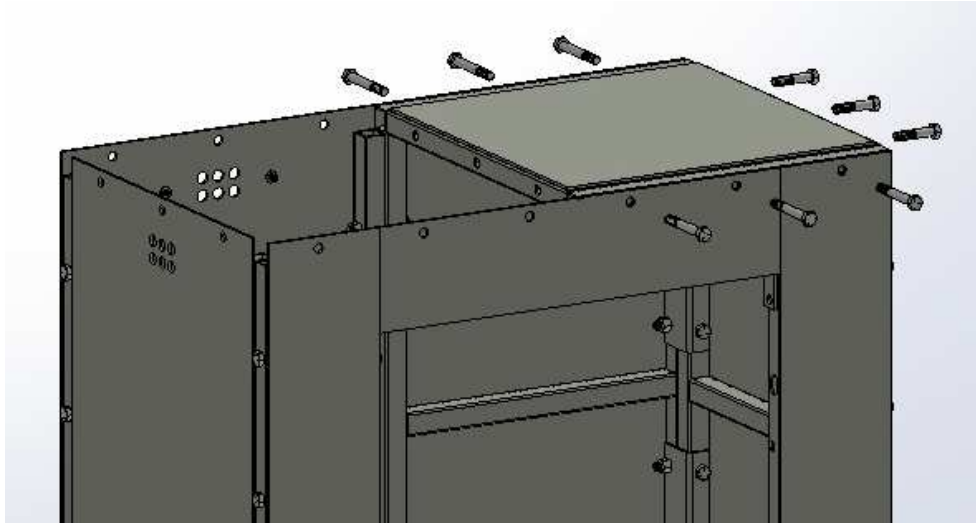
Step 8: Attach Door Header to Door Jamb using a 3/4" x 3-1/2" bolt and locking nut on the non-hinging side of the door opening only.

Step 9: Attach the Door Threshold to Door Jamb using a 3/4" x 3-1/2" bolt and locking nut on the non-hinging side of the door opening only.

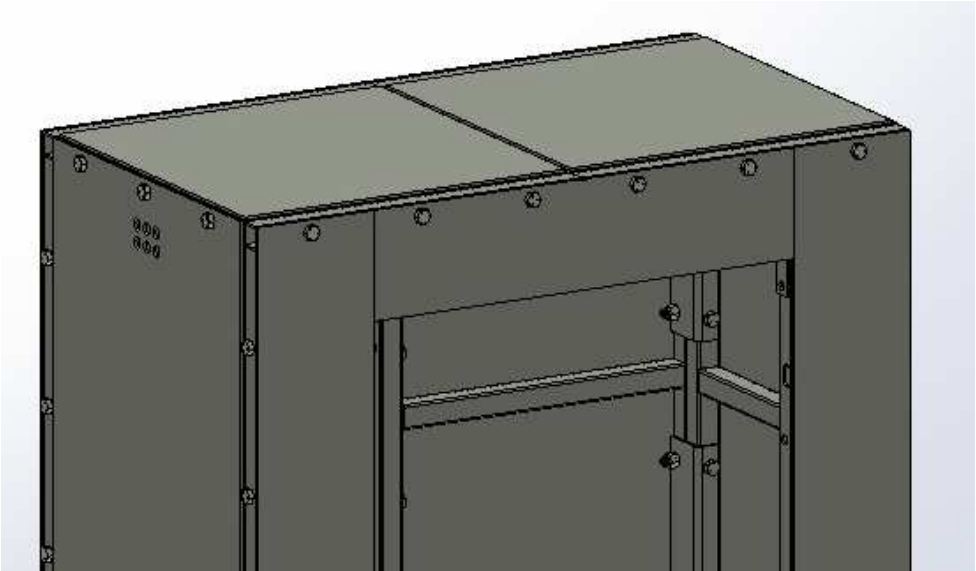


Step 10: Sit a Ceiling Spacer tube on top of back Wall Panel and Door Header/Jamb.

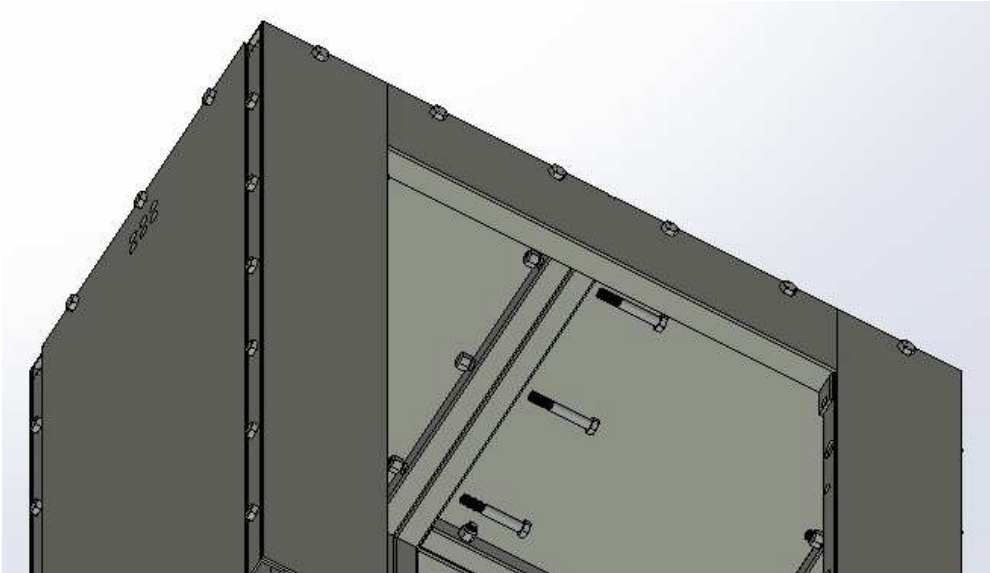
Ceiling Spacer Tube



Step 11: Install a Ceiling Panel using 3/4" x 5-1/2" bolts and locking nuts through the back and front and 3/4" x 3-1/2" bolts and locking nuts through the side.

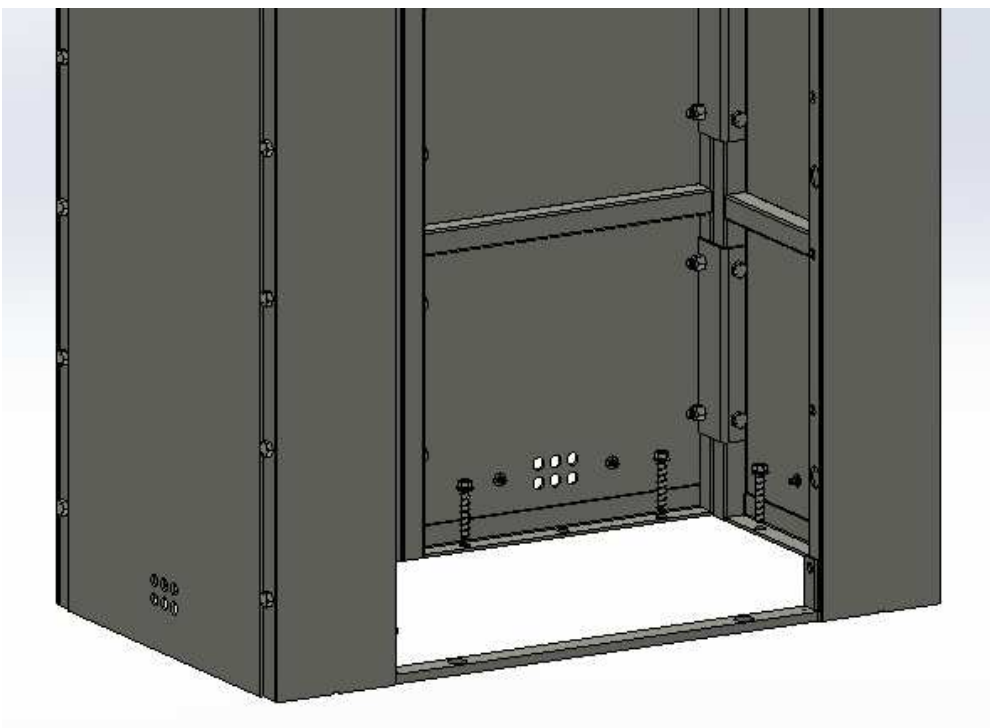


Step 12: Install additional Ceiling Spacer Tubes and Ceiling Panels using the same hardware as in **Steps 10-11.**



Step 13: Attach Ceiling Panels to each other using 3/4" x 5" bolts and locking nuts.

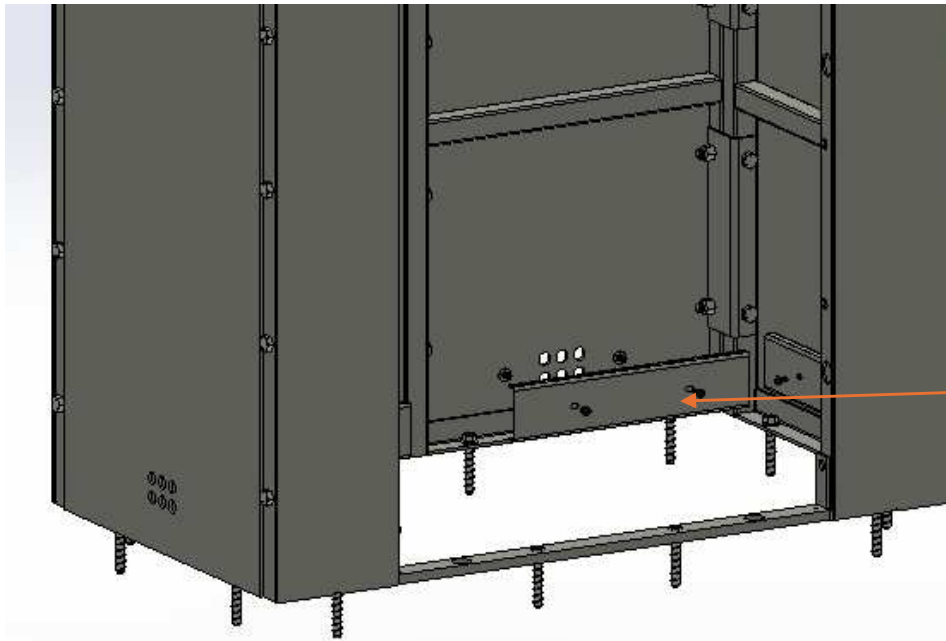
Step 14: Tighten all fasteners in corners, wall panels, and ceiling panels.



Step 14: With the shelter in its final position, drill 5/8" holes 4-1/2" deep using a concrete bit and hammer drill.

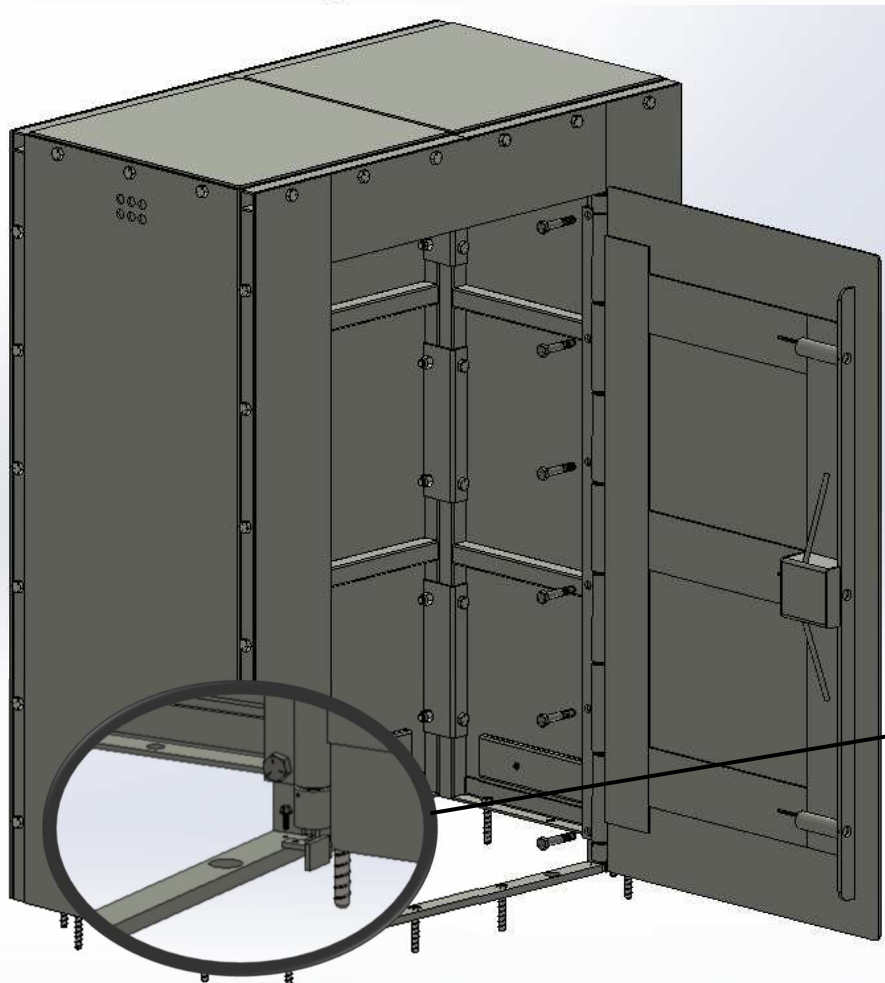
Step 15: Install the 5/8" x4" concrete anchors.

Only two anchors per Wall Panel are required, one in each Door Jamb panel, and two in the Door Threshold.



Step 16: Attach the Vent Baffles using 3/8" x 3/4" button head bolts.

Vent Baffle

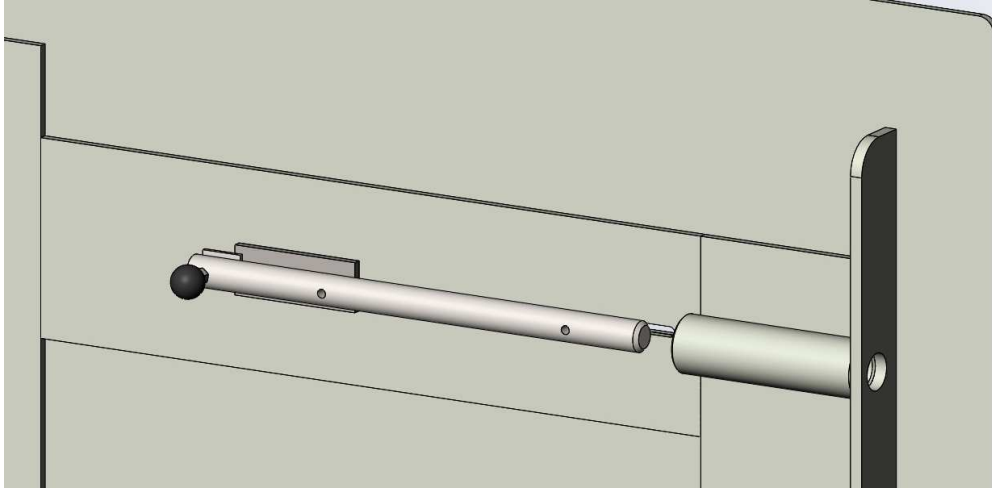


Step 17: Attach the Door Assembly to the Door Jamb using 3/4" x 4" bolts and locking nuts through the Door hinge.

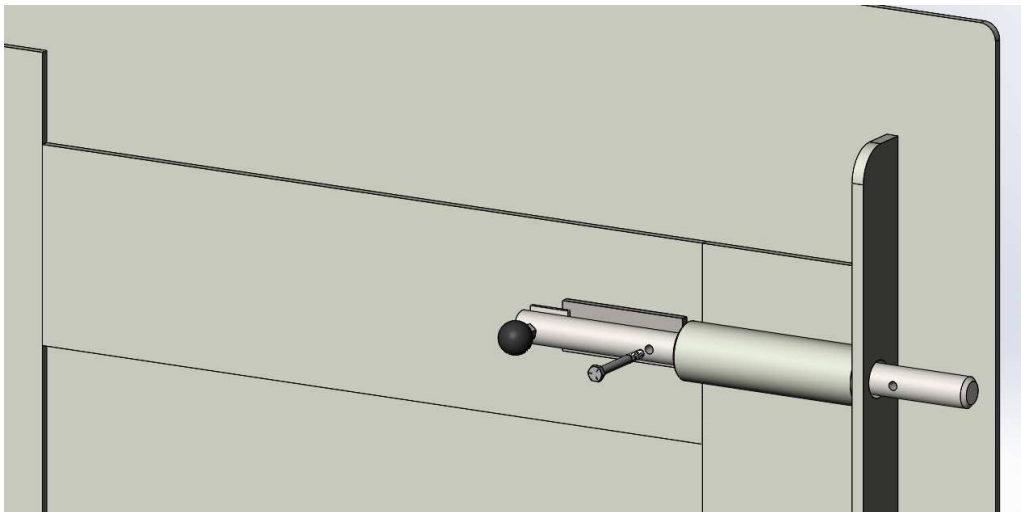
The bolts will also pass through the Door Header tab at the top and the Door Threshold tab at the bottom.

**Door swing may be opposite from shown*

Step 18: Attach the Door Threshold Cover under the Door hinge using a 1/4" x 3/4" bolt as shown.



Step 19: Slide the Door Latch Bars into the Door as shown.



Step 20: Insert the 1/4" x 3-1/2" bolt through the Latch Bar.



Step 21: On the outside, attach a locking nut onto the Latch Bar bolt.

NOTE: DO NOT OVERTIGHTEN, THE LATCH BAR MUST SLIDE FREELY

Thread the Latch Bar Knob onto the bolt. It is recommended to apply a small drop of blue Loctite to the threads of the Knob.