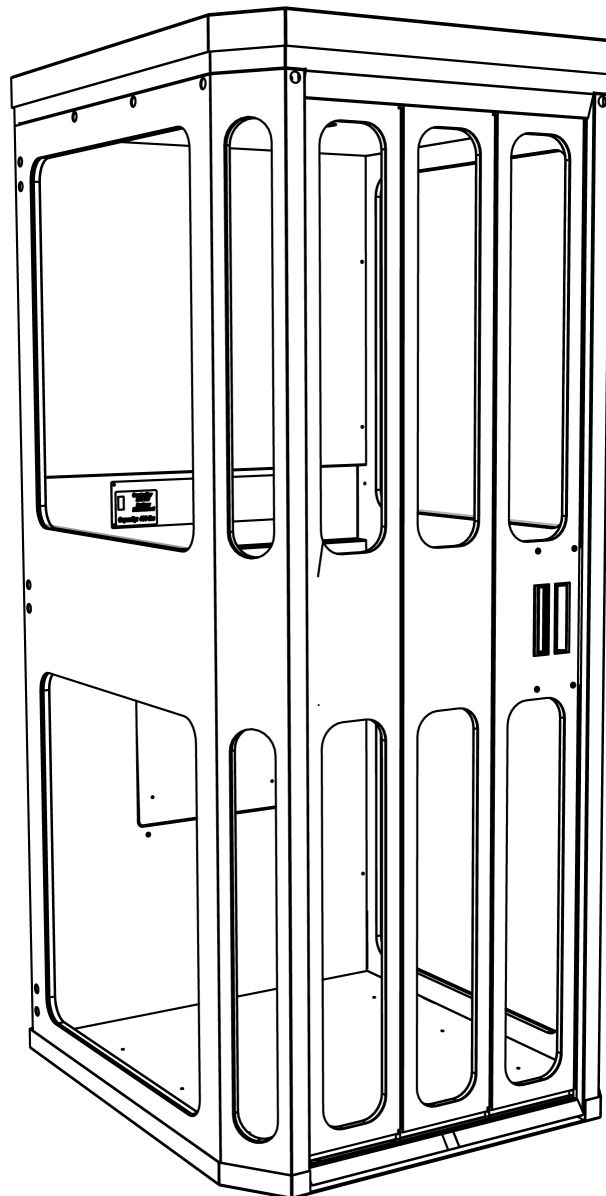


Shaftless Elevator Planning Guide

Models **EZ3**, **EZ4** and **EZ5**

April 19, 2023





Introduction

This Planning Guide is designed to assist architects, contractors, home owners and elevator professionals in planning for a home elevator that meets the requirements of ASME A17.1 Section 5.3. We strongly recommend you contact the codes authority having jurisdiction in the area where the elevator will be installed. Become familiar with all requirements governing the installation and use of elevators in private residences. It is extremely important for you to know and adhere to all regulations concerning installation and use of elevators.

IMPORTANT NOTICE:

This Planning Guide provides nominal dimensions and specifications useful for initial planning of an elevator project. BEFORE beginning actual construction, be sure to receive application drawings customized with specifications and dimensions for your specific project. Call 877-378-4275 to find a dealer in your area or visit our website, www.stayinghome.com to request information.

Elevator configurations and dimensions are in accordance with our interpretation of the standards set forth by ASME A17.1 Part V Section 5.3. Please consult Staying Home Corp. or an authorized dealer in your area for more specific information pertaining to your project, including any deviation between referenced standards and those of any local codes or laws. Always contact local codes authorities for any variation to standards.

The dimensions and specifications in this Planning Guide are subject to change (without notice) due to product enhancements and continually evolving codes and product applications.

Codes:

While Staying Home Corporation builds all elevators to meet ASME A17.1, Part 5.3, Residential Elevator Standards when installed correctly, some states, cities and/or counties implement local codes that override these standards. Always check with the local authority having jurisdiction to verify the codes that must be adhered to in you location.

Table of Contents

- About Staying Home Corporation..... 3
- Shaftless Elevators 3
- Shaftless Elevator Overview 4
- Basic Equipment 5
- Key Features 5
- Configurations 6-7
- Construction Details 8-10
- Electrical Details 11
- Landing Gate Details 12

About Staying Home Corporation

Staying Home Corp. (SHC) is a manufacturer of accessibility related products. Each of our associates take a great deal of pride in designing and building products to assist people in staying in the homes they have grown to love.

Our products include residential elevators, dumbwaiters, stair lifts, wheelchair lifts and tornado shelters.

Located just south of Kansas City, MO in the small town of Harrisonville, we understand what it means to work hard and how important it is to spend your money wisely. Our toll-free number is 877-378-4275 and we are open Monday – Friday from 7:00 – 5:00 CST. Visit our website at www.stayinghome.com to see other products available to enable you to safely reside in your home.

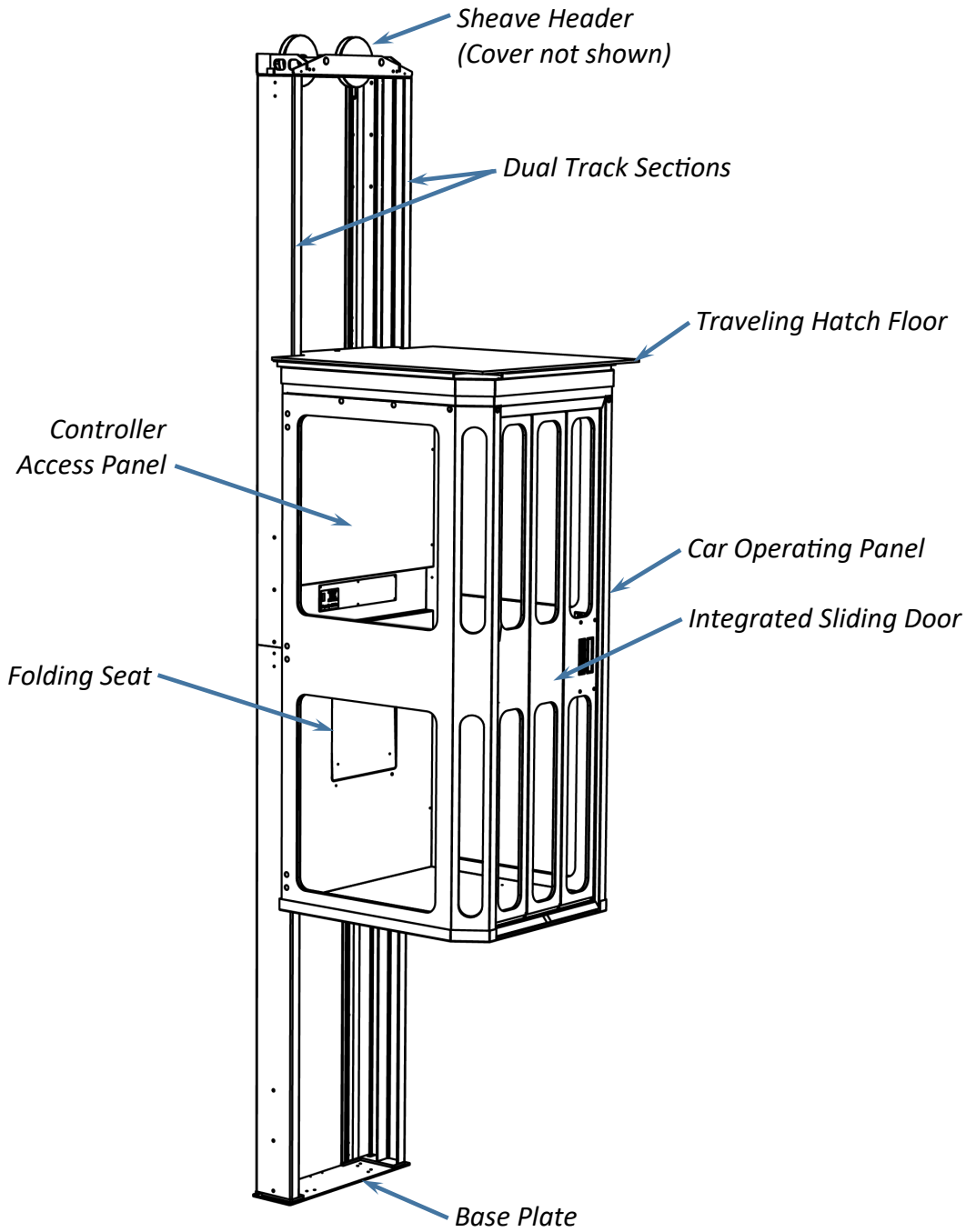
Shaftless Elevators

SHC's Shaftless Elevators complies with ASME A17.1 Section 5.3, the elevators are designed with the home owner in mind. This elevator has a small footprint and requires no pit or machine room. Designed specifically to be retrofitted into existing homes, this elevator focuses on providing safe accessibility in the home with minimum construction, cost and maintenance. The integrated sliding door rides with the car, keeping the user safely enclosed while the elevator is in motion. Typically installed by providing a cutout in the floor which is then covered with a hatch cover that can be finished to match the home's floor coverings, a pressure sensitive top and bottom safety device is used to stop the elevator's motion if an obstruction is encountered.

Powered by two batteries, which are continually charged with standard household current, the elevator will operate even during a power outage. It is controlled by radio frequency push button controls, so no additional wiring is required for a new installation.

The SHC Shaftless Elevator is provided through our exclusive national dealer network. Please consult with your local authorized distributor to see if the SHC Shaftless Elevator is the right fit for your project.

Shaftless Elevator Overview



Shaftless Elevator Models

- EZ3** Front Entry 33"W x 26"D (smallest footprint)
- EZ4** Front Entry 33"W x 35"D
- EZ5** Pass-thru Double Entry 33"W x 39"D
- EZ5L** Side Entry Left 33"W x 39"D
- EZ5R** Side Entry Right 33"W x 39"D

Note: Wheelchairs come in a variety of sizes. Be sure to check the size and weight of the wheelchair being used before deciding on any elevator or lift to assure choice of model will provide the space and load capacity needed.

Basic Equipment

Standard Features

- Travel to 14'
- Capacity: 400 lbs
- Extruded aluminum track
- Dual winding cable drums with 1/4" aircraft cables
- Speed: 8-10 fpm
- Maximum number of stops: 2
- Finish: RAL 9002 powder coated with clear vision panels
- Fold down seat
- Slimline telephone
- Sliding car door with clear vision panels
- Carpet on car floor
- Floor cutout liner kit
- Battery powered
- Battery charger
- Controller: Circuit board

Safety Features

- Limit switches at each stop
- Final limit at top
- Emergency stop and alarm
- Car door switch
- Honeywell residential car door interlock
- Hatch cover with sensors
- Under car safety pan
- Slack cable device

Controls

- Operation: Constant pressure
- Car Operating Panel: Up/down buttons, key switch, emergency stop, alarm and diagnostic indicator
- RF wireless hall stations
- RF wireless key fob

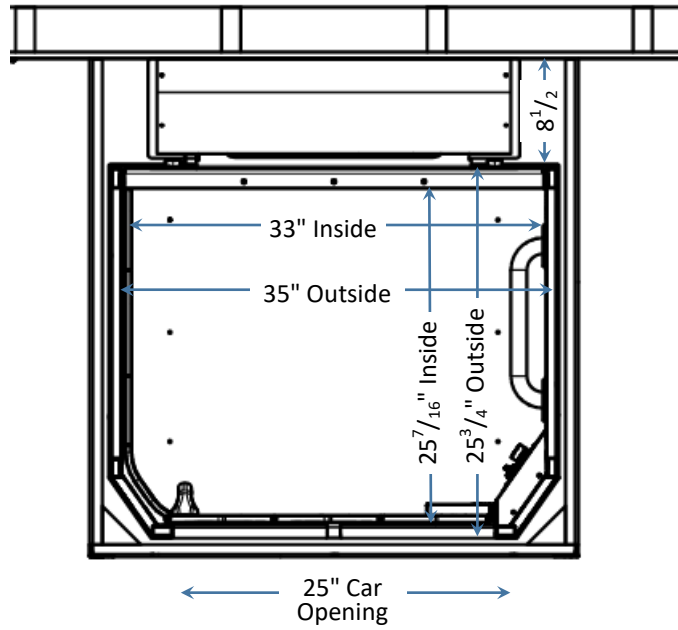
Optional Equipment

- 42" High landing gate
- Key switch on hall stations
- Semi free standing package (*anchors to floor, upper floor joists and ceiling*)
- Custom colors available

Key Features

- Full time battery powered for use during power outages
- Compact design with small footprint
- Integrated sliding door
- Uses a standard 120 VAC outlet
- No pit or machine room required
- For new or existing construction
- Minimal home alterations
- Reaches up to 14' between landings
- 3 year warranty on drive train
 - 1 year on batteries
 - 2 year on other parts

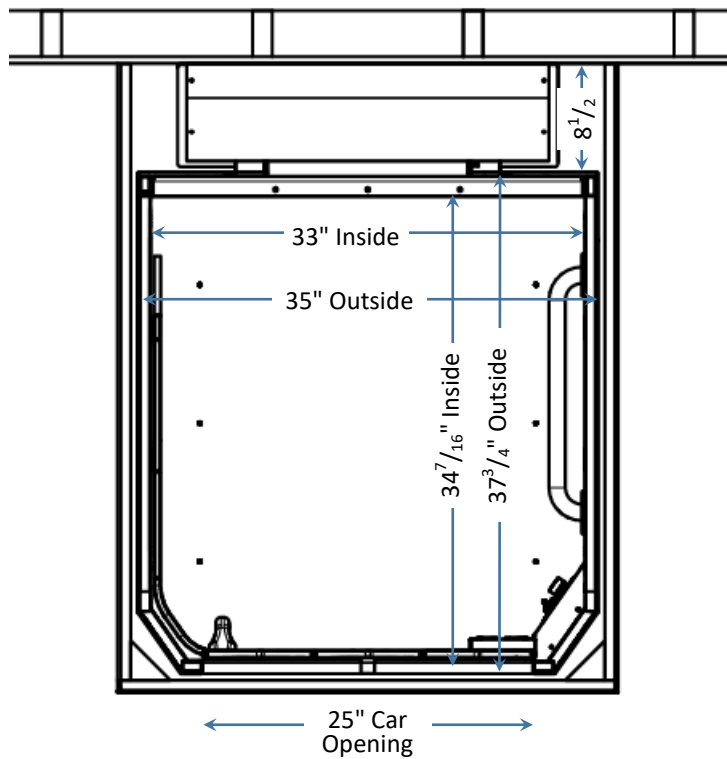
Front Opening Configurations



Model **EZ3**

Front Entry

33"W x 26"D x 76"H

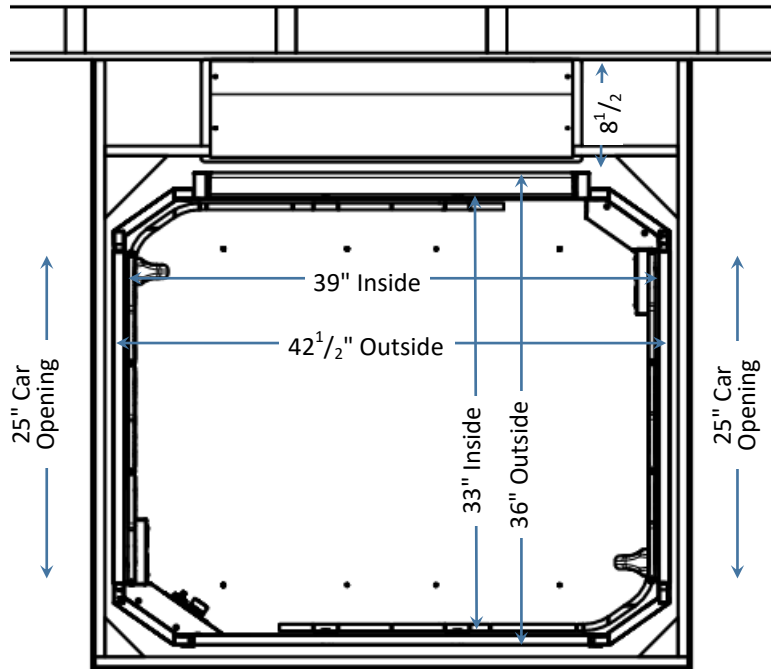


Model **EZ4**

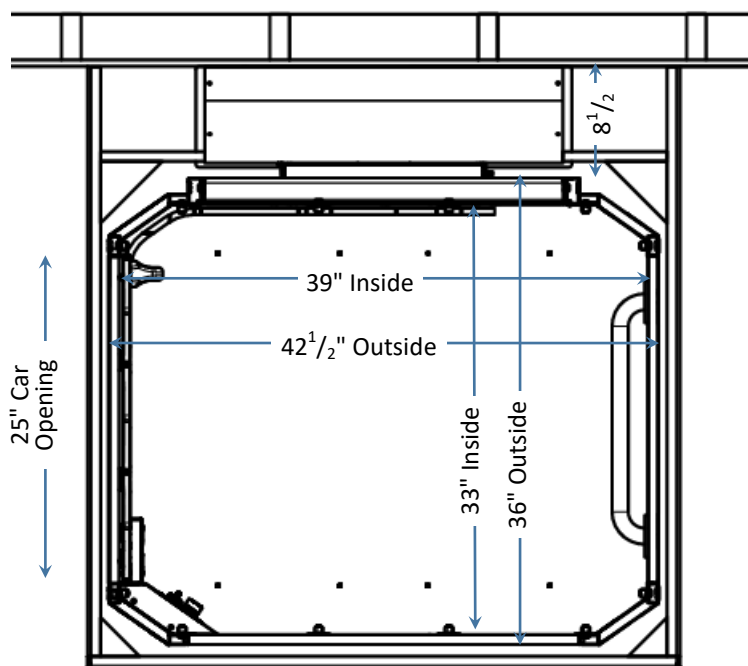
Front Entry

33"W x 35"D x 76"H

Side Opening Configurations



Model EZ5
 Entry Each Side
 33"W x 26"D x 76"H

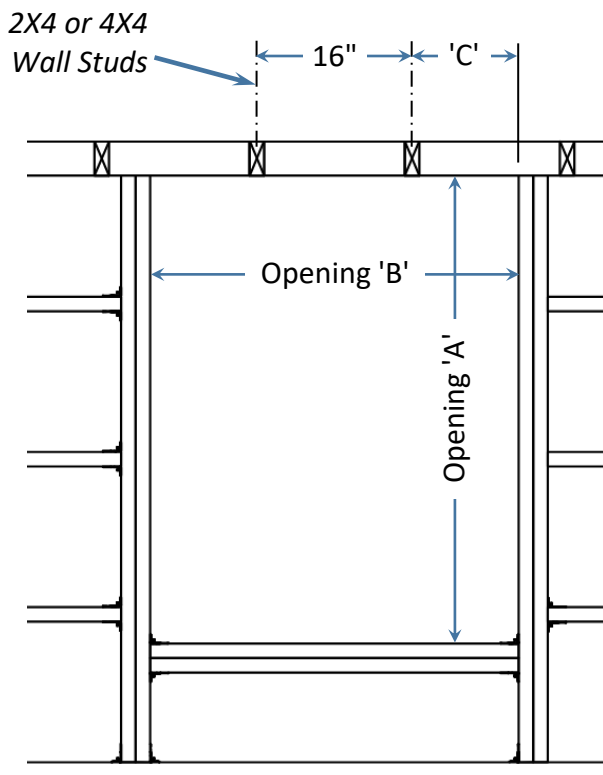
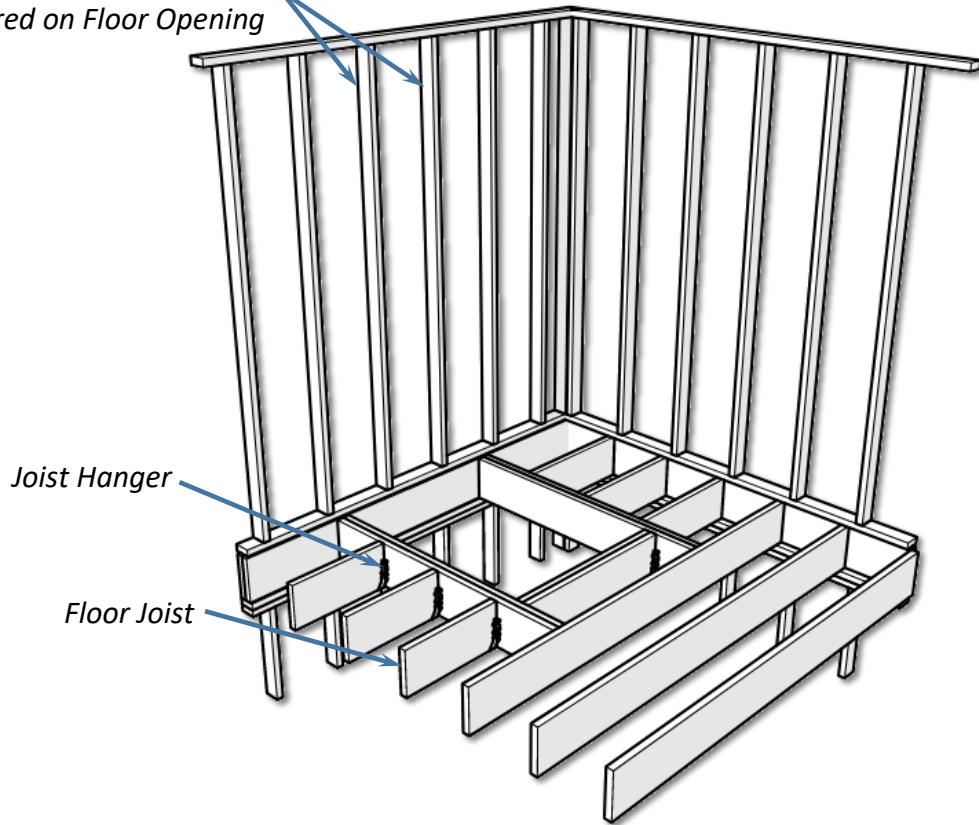


Model EZ5L (R)
 Entry Left or Right Side (Left shown)
 33"W x 26"D x 76"H

Construction Details

Perpendicular Joists

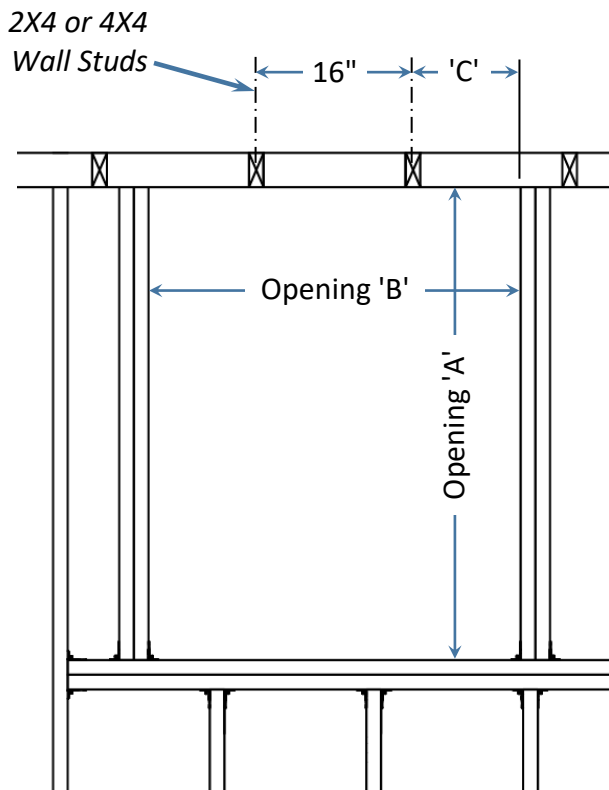
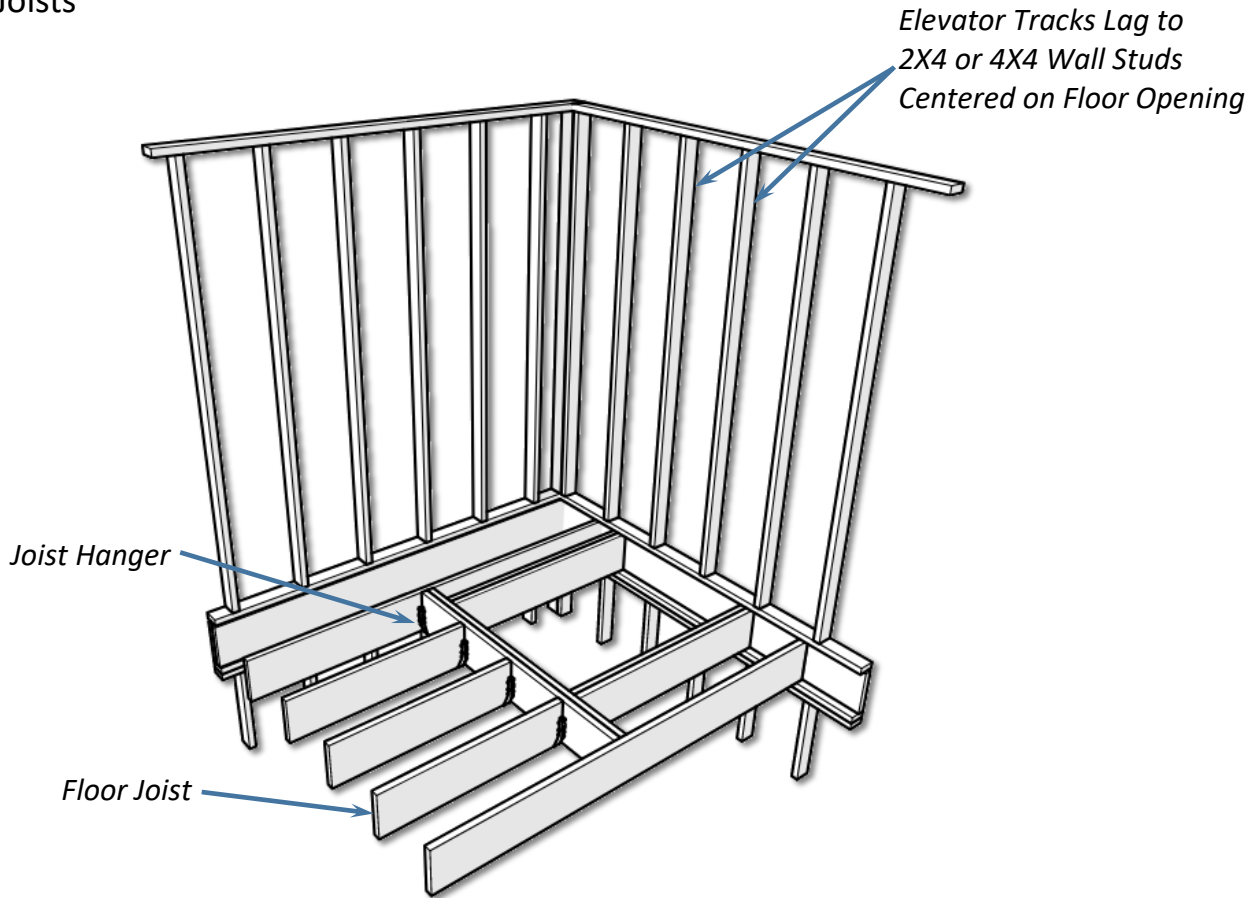
*Elevator Tracks Lag to
 2X4 or 4X4 Wall Studs
 Centered on Floor Opening*



Model	'A'	'B'	'C'
EZ3	38 ³ / ₄ "	38"	11"
EZ4	47 ³ / ₄ "	38"	11"
EZ5	46 ¹ / ₄ "	45 ¹ / ₂ "	14 ³ / ₄ "

Construction Details

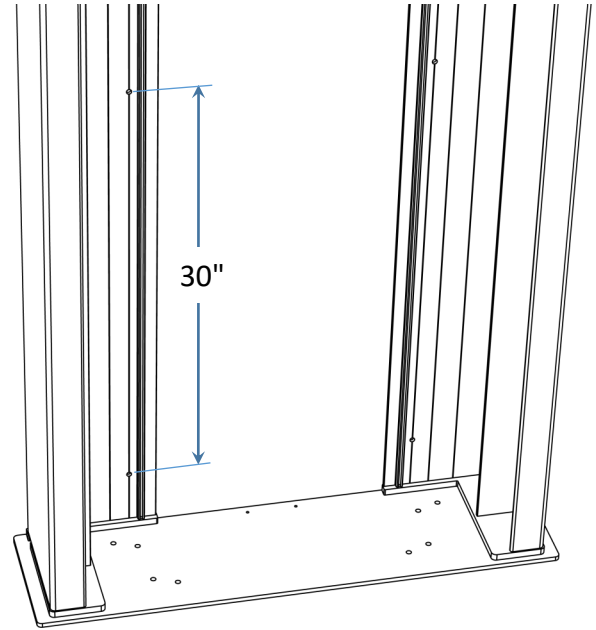
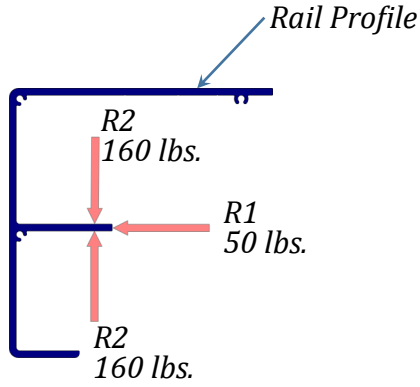
Parallel Joists



Model	'A'	'B'	'C'
EZ3	38 ³ / ₄ "	38"	11"
EZ4	47 ³ / ₄ "	38"	11"
EZ5	46 ¹ / ₄ "	45 ¹ / ₂ "	14 ³ / ₄ "

Construction Details

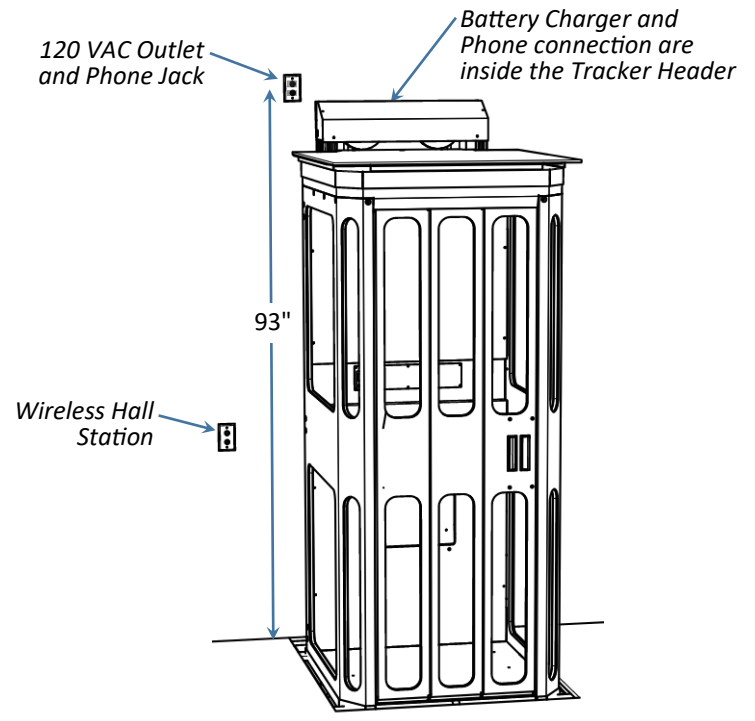
- A load bearing wall is required to sustain rail reactions.



- Minimum overhead clearance is 90" above the top landing finished floor.
- Track fasteners are located at 6" from bottom floor and every 30" above that.
- Pull out force is 92 lbs. per fastener.
- Shear force is 73.75 lbs. per fastener.
- Static load is 1,180 lbs.

Electrical Details

- Standard household 120 VAC outlet required in the area of the track header.
- Elevator runs on battery power. The batteries are continuously charged by a 2 amp smart battery charger.
- Telephone line connection required in the area of the track header. A telephone is provided inside the elevator.
- Flush mounted remote hall station controls are provided for each landing. They are wireless, no wiring required. Also, a key fob control is provided.



Optional Gate Details for Upper Balcony

- 42" high self-closing Landing Gate for 25" opening on Car
- Honeywell residential interlock
- Acrylic clear vision panel
- Right hand or Left hand swing (right hand shown) Configuration can easily be switch in the field
- Each side of gate frame must be anchored to adjacent structure

