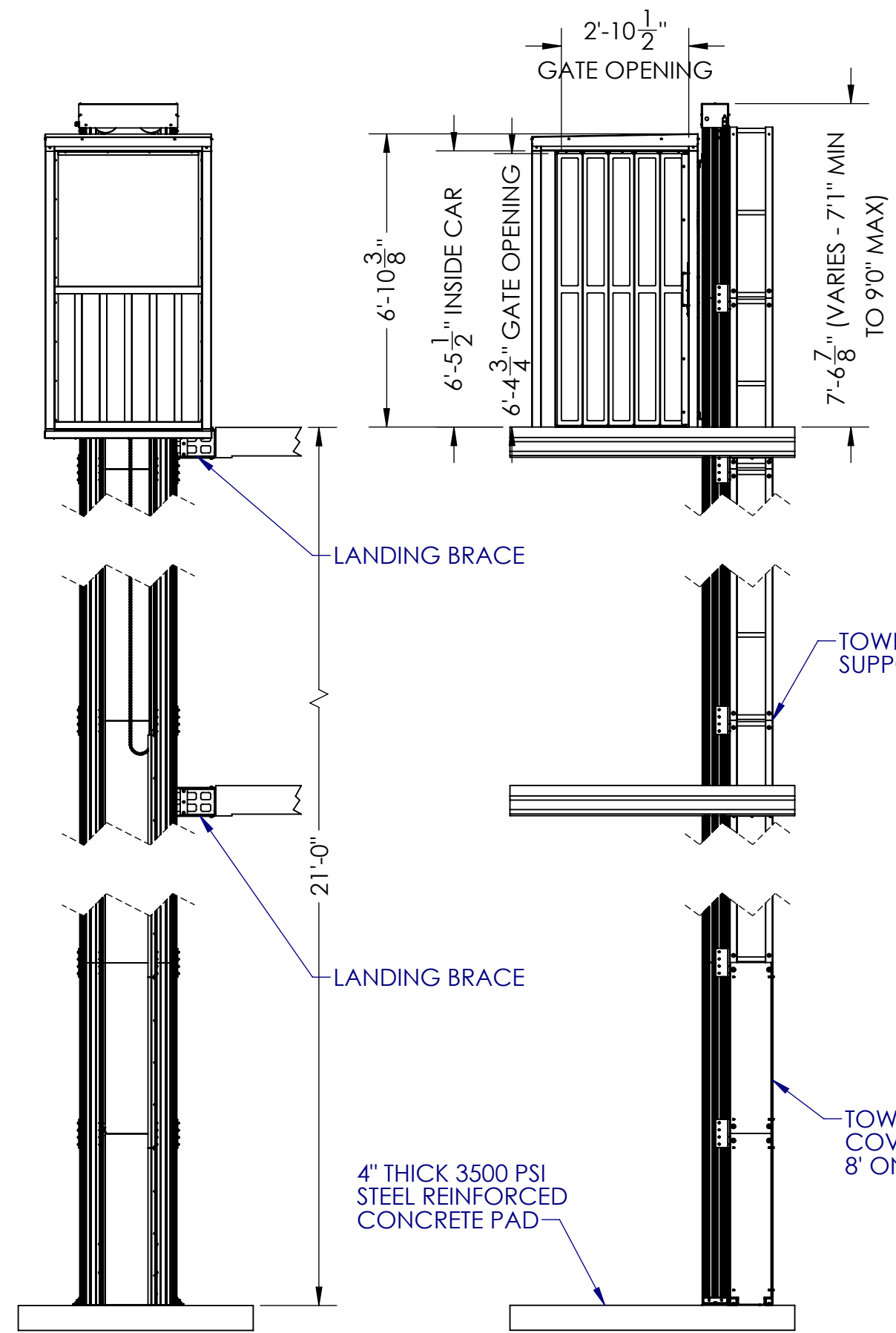


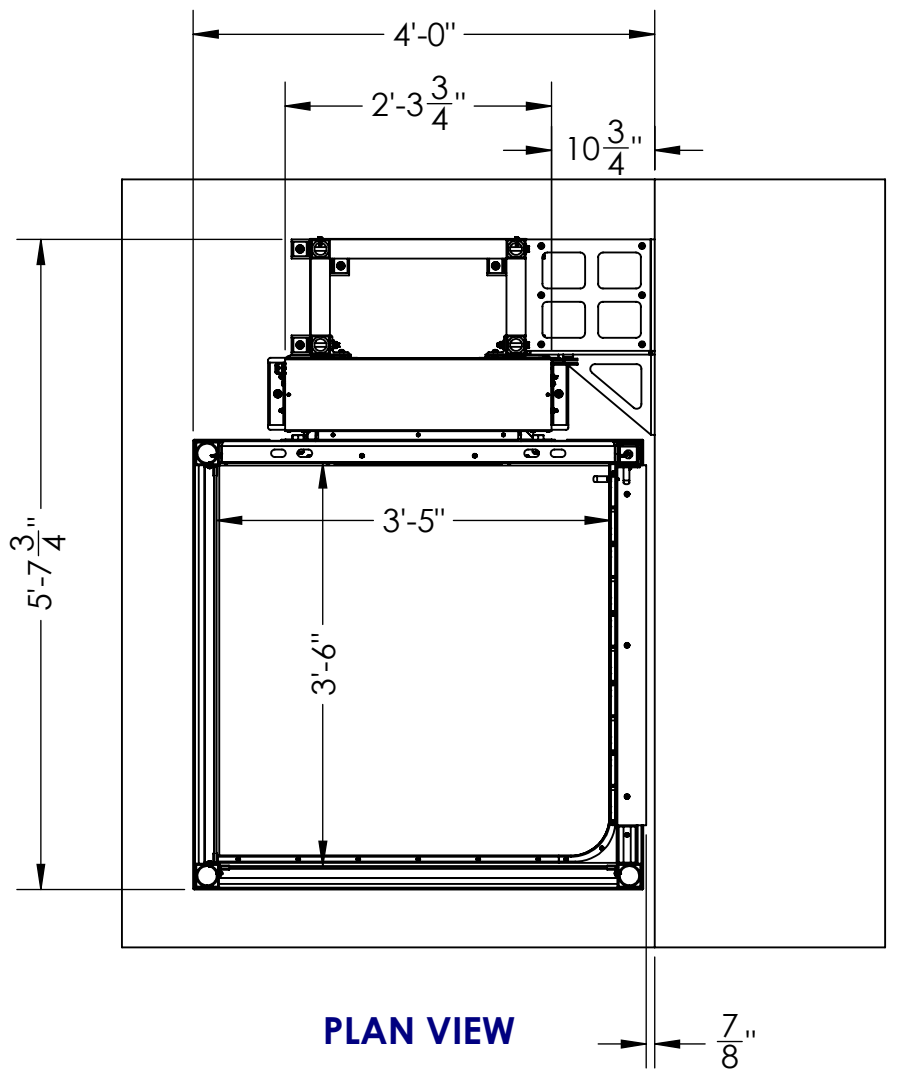
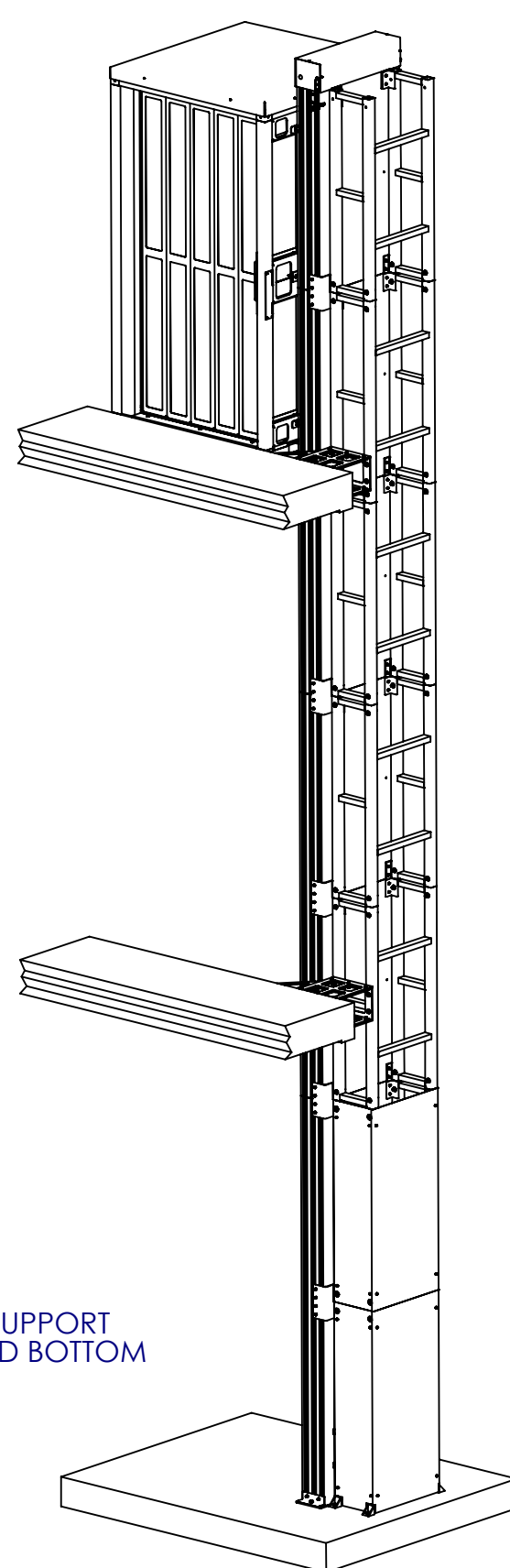
8 7 6 5 4 3 2 1

D  
C  
B  
A



**FRONT VIEW**

**SIDE VIEW**



Drive: Dual winding 1/4" cable drums  
 Supply Power: 120vac 2a  
 Operating Power: 24vdc 40a  
 Control Power: 5vdc  
 Controls: Constant Pressure  
 Rated Load: 500 lbs  
 Travel Speed: 15 fpm  
 Max Travel: 21' 0"  
 Car Size: 42" X 41" (11.96 sqft)  
 Safety: Slack Cable Brake, Final Limit, Safety Pan, Landing Interlocks, E-Stop

	NAME	DATE
DRAWN		10/24/2023
CHECKED		
ENG APPR.		
MFG APPR.		
Q.A.		

**Staying Home**  
ELEVATE YOUR LIFE

Staying Home Corporation  
 2501 Anaconda Rd  
 Harrisonville, MO 64701  
 816-380-2427  
 www.stayinghome.com

**PROPRIETARY AND CONFIDENTIAL**  
 THE INFORMATION CONTAINED IN THIS DRAWING IS THE SOLE PROPERTY OF STAYING HOME CORPORATION. ANY REPRODUCTION IN PART OR AS A WHOLE WITHOUT THE WRITTEN PERMISSION OF STAYING HOME CORPORATION IS PROHIBITED.

TITLE: <b>OUTDOOR ELEVATOR RIGHT OPENING - LEFT GATE SLIDE</b>		
SIZE <b>B</b>	DWG. NO. <b>TYP - OE-R-L</b>	REV
SCALE: 1:96 WEIGHT:		SHEET 1 OF 1

8 7 6 5 4 3 2 1